

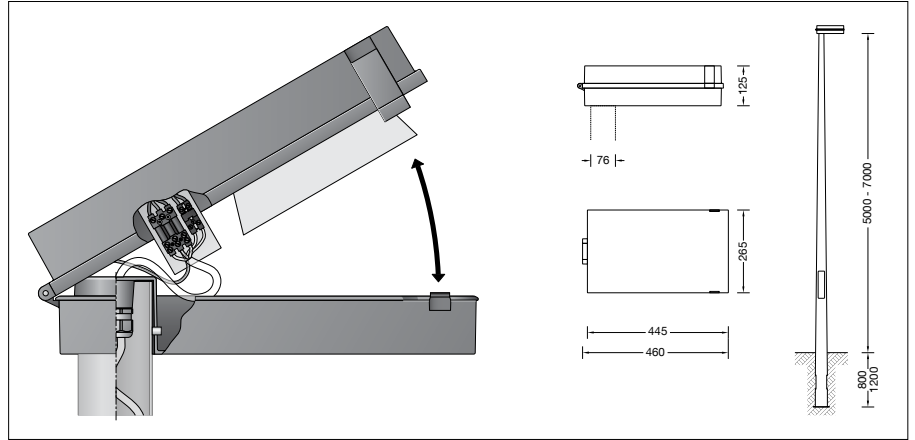
BEGA**99 665**

Pole top luminaire



Project · Reference number

Date



Product data sheet

Application

LED pole top luminaire with asymmetrical flat beam light distribution.
The asymmetrical and flat beam light distribution is suitable especially for the illumination of streets according to DIN EN 13201.
For mounting heights 5000 - 7000 mm.

Product description

Luminaire made of aluminium alloy, aluminium and stainless steel
Safety glass with optical structure
Silicone gasket
Reflector made of pure anodised aluminium
Toolless closure
For pole top \varnothing 76 mm
Slip fitter insert depth 80 mm
1 screw cable gland with strain relief for mains supply cable from \varnothing 6 - 12 mm
3-pole plug connection with connecting terminal and earth conductor terminal 2.5²
2-pole connection for digital control
LED power supply unit
220-240 V \sim 0/50-60 Hz
DC 176-264 V
During DC operation the LED power is reduced to 50 %
DALI controllable
A basic isolation exists between power cable and control line
Safety class I
Protection class IP 66
Dust-tight and protection against strong water jets
Impact strength IK09
Protection against mechanical impacts < 10 joule
 – Safety mark
CE – Conformity mark
Horizontal wind catching area: 0.06 m²
Weight: 7.0 kg

Lamp

Module connected wattage 23.2 W
Luminaire connected wattage 25.9 W
Rated temperature $t_a = 25$ °C
Ambient temperature $t_{a,max} = 60$ °C

99 665 K4

Module designation 2x LED-0403/840
Colour temperature 4000 K
Colour rendering index CRI > 80
Module luminous flux 4640 lm
Luminaire luminous flux 3380 lm
Luminaire luminous efficiency 130,5 lm/W

99 665 K3

Module designation 2x LED-0403/830
Colour temperature 3000 K
Colour rendering index CRI > 80
Module luminous flux 4510 lm
Luminaire luminous flux 3286 lm
Luminaire luminous efficiency 126,9 lm/W

Service life of the LED

Ambient temperature $t_a = 25$ °C
– at > 500,000h: L70B50

max. ambient temperature $t_a = 60$ °C
– at 137,000h: L70B50

Light technique

Luminaire data for the light planning program DIALux for outdoor lighting, street lighting and indoor lighting as well as luminaire data in EULUMDAT- and IES-format you will find on the BEGA web page www.bega.com.

Inrush current

Inrush current: 5 A / 100 μ s
Maximum number of luminaires of this type per miniature circuit breaker:
B 10A: 27 luminaires
B 16A: 44 luminaires
C 10A: 27 luminaires
C 16A: 44 luminaires

Article No. 99 665

LED colour temperature optionally 4000 K or 3000 K
4000 K – Article number + **K4**
3000 K – Article number + **K3**

Accessories

Wall bracket for mounting on a wall, building corner or a pole.

70 700 Wall arm slope of 3°

70 701 Wall arm slope of 12°

Pole top spreader for double or triple arrangement of luminaires on a pole.

70 702 Pole top spreader 2-way

70 703 Pole top spreader 3-way

For this luminaire we recommend the following BEGA luminaire poles:

Tapered aluminium poles, lacquered with access door and C-clamp

70 915 Pole with anch.section H 5000 mm

70 916 Pole with anch.section H 6000 mm

70 917 Pole with anch.section H 7000 mm

Tapered steel poles without visible welding seam - hot-dip galvanised and lacquered with access door and C-clamp

70 886 Pole with anch.section H 5000 mm

70 834 Pole with anch.section H 6000 mm

70 835 Pole with anch.section H 7000 mm

Tapered steel luminaire poles longitudinally seam-welded · hot-dip galvanised and lacquered with access door and C rail

71 002 Pole with anch.section H 6000 mm

71 004 Pole with anch.section H 7000 mm

For suitable connection boxes please see the instructions for use of the luminaire poles.

Light distribution

