

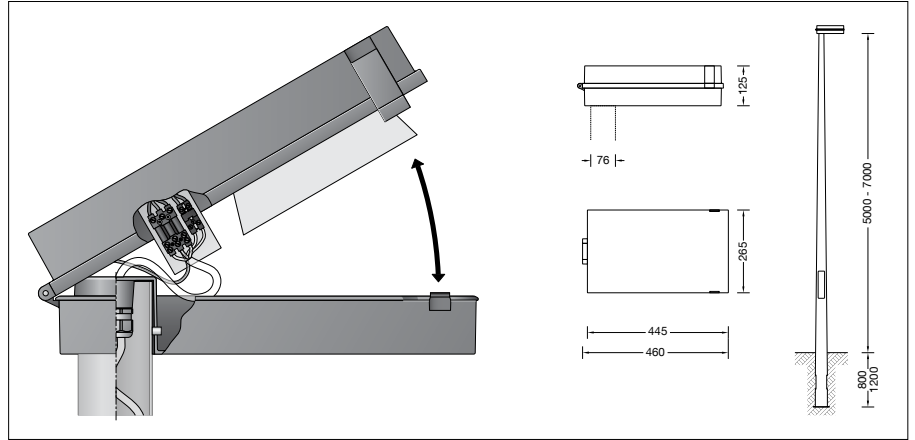
BEGA**99 656**

Pole top luminaire



Project · Reference number

Date



Product data sheet

Product description

Luminaire made of aluminium alloy,
aluminium and stainless steel
BEGA Unidure® coating technology
Safety glass with optical structure
Silicone gasket
Reflector made of pure anodised aluminium
Toolless closure
For pole top \varnothing 76 mm
Slip fitter insert depth 80 mm
1 screw cable gland with strain relief
for mains supply cable from \varnothing 6 - 12 mm
3-pole plug connection with connecting
terminal and earth conductor terminal 2.5[□]
2-pole connection for digital control
LED power supply unit
220-240 V \sim 0/50-60 Hz
DC 176-276 V
DALI controllable
A basic isolation exists between power cable
and control line
BEGA Thermal Control®
Temporary thermal regulation to protect
temperature-sensitive components without
switching off the luminaire
Safety class I
Protection class IP 66
Dust-tight and protection against strong water
jets
Impact strength IK09
Protection against mechanical
impacts < 10 joule
 – Safety mark
 – Conformity mark
Horizontal wind catching area: 0.06 m²
Weight: 6.7 kg

Application

LED pole top luminaire with asymmetrical flat
beam light distribution.
The asymmetrical and flat beam light distribution
is suitable especially for the illumination of
streets according to DIN EN 13201.
For mounting heights 5000 - 7000 mm.

Lamp

Module connected wattage	15.6 W
Luminaire connected wattage	18.5 W
Rated temperature	$t_a = 25\text{ °C}$
Ambient temperature	$t_{a\text{ max}} = 60\text{ °C}$

99 656 K4

Module designation	2x LED-0316/840
Colour temperature	4000 K
Colour rendering index	CRI > 80
Module luminous flux	3090 lm
Luminaire luminous flux	2226 lm
Luminaire luminous efficiency	120,3 lm/W

99 656 K3

Module designation	2x LED-0316/830
Colour temperature	3000 K
Colour rendering index	CRI > 80
Module luminous flux	3000 lm
Luminaire luminous flux	2162 lm
Luminaire luminous efficiency	116,9 lm/W

Service life · Ambient temperature

Rated temperature $t_a = 25\text{ °C}$	
LED psu:	> 50,000h
LED module:	> 200,000h (L80 B50)
	100,000h (L90 B50)

Ambient temperature $t_{a\text{ max}} = 60\text{ °C}$ (100 %)	
LED psu:	50,000h
LED module:	93,000h (L80 B50)
	100,000h (L70 B50)

Light technique

Luminaire data for the light planning program
DIALux for outdoor lighting, street lighting and
indoor lighting as well as luminaire data in
EULUMDAT- and IES-format you will find on the
BEGA web page www.bega.com.

Inrush current

Inrush current: 12 A / 24.2 μ s
Maximum number of luminaires of this
type per miniature circuit breaker:
B 10A: 50 luminaires
B 16A: 50 luminaires
C 10A: 50 luminaires
C 16A: 50 luminaires

Article No. 99 656

LED colour temperature optionally 4000 K
or 3000 K
4000 K – Article number + **K4**
3000 K – Article number + **K3**

Accessories

Wall bracket for mounting on a wall, building
corner or a pole.

70 700 Wall arm slope of 3°

70 701 Wall arm slope of 12°

Pole top spreader for double or triple
arrangement of luminaires on a pole.

70 702 Pole top spreader 2-way

70 703 Pole top spreader 3-way

For this luminaire we recommend to use the
following BEGA luminaire poles:

Tapered aluminium poles, lacquered
with access door and C-clamp

70 915 Pole with anch.section H 5000 mm

70 916 Pole with anch.section H 6000 mm

70 917 Pole with anch.section H 7000 mm

70 794 Pole with base plate H 5000 mm

Tapered steel poles - hot-dip galvanised and
lacquered - with access door and C-clamp

70 886 Pole with anch.section H 5000 mm

70 834 Pole with anch.section H 6000 mm

70 835 Pole with anch.section H 7000 mm

For suitable connection boxes please see the
instructions for use of the luminaire poles.

Light distribution

