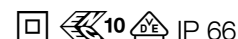


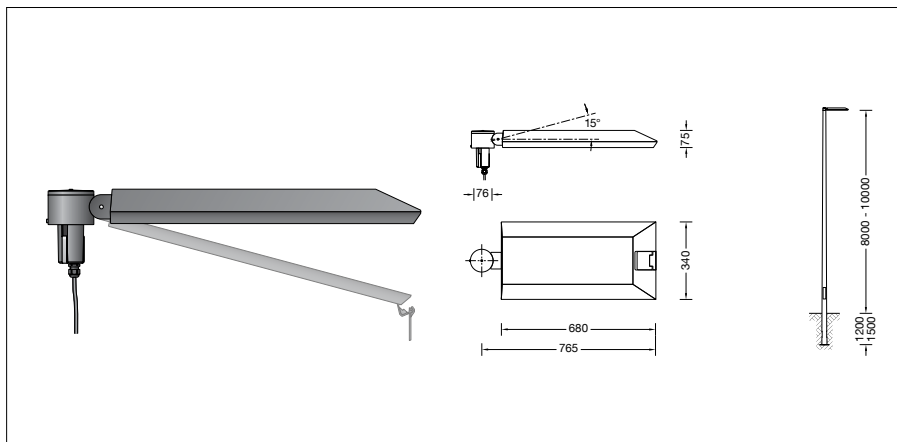
BEGA**99 599**

Pole top luminaire



Project · Reference number

Date



Product data sheet

Application

LED pole top luminaire with asymmetrical flat beam light distribution.
For mounting heights 8000 - 10000 mm.

Product description

Luminaire made of aluminium alloy,
aluminium and stainless steel
Safety glass
Silicone gasket
Reflector made of pure anodised aluminium
Toolless closure
Adjustable joint for beam direction 0° or 15°
For pole top \varnothing 76 mm
Inner diameter of the pole min.62 / max.70 mm
Slip fitter insert depth 100 mm
Connecting cable X05BQ-F 4 x 1[□]
Cable length 10 m
LED power supply unit
220-240 V \sim 0/50-60 Hz
DC 176-264 V
During DC operation the LED power
is reduced to 50 %
DALI controllable
A basic isolation exists between power cable
and control line
Safety class II \square
Protection class IP 66
Dust-tight and protection against strong water
jets
Impact strength IK09
Protection against mechanical
impacts < 10 joule
 – Safety mark
CE – Conformity mark
Horizontal wind catching area: 0.08 m²
Weight: 10.4 kg

Lamp

Module connected wattage 93 W
Luminaire connected wattage 103.8 W
Rated temperature $t_a = 25$ °C
Ambient temperature $t_{a,max} = 45$ °C

On request we can offer you modifications for
enviroments with higher temperatures as a
customized product.

99 599 K4

Module designation 6x LED-0847/840
Colour temperature 4000 K
Colour rendering index CRI > 80
Module luminous flux 18570 lm
Luminaire luminous flux 14866 lm
Luminaire luminous efficiency 143,2 lm/W

99 599 K3

Module designation 6x LED-0847/830
Colour temperature 3000 K
Colour rendering index CRI > 80
Module luminous flux 18060 lm
Luminaire luminous flux 14457 lm
Luminaire luminous efficiency 139,3 lm/W

Service life of the LED

Ambient temperature $t_a = 25$ °C
– at > 500,000h: L70B50

max. ambient temperature $t_a = 45$ °C
– at 184,000h: L70B50

Ambient temperature $t_{a,max} = 50$ °C (85 %)
LED psu: 50,000h
LED module: 50,000h

BEGA Thermal Control® protects temperature-
sensitive luminaire components by
temporarily limiting the nominal power at high
temperatures.

Inrush current

Inrush current: 12 A / 100 μ s
Maximum number of luminaires of this
type per miniature circuit breaker:
B 10A: 9 luminaires
B 16A: 14 luminaires
C 10A: 9 luminaires
C 16A: 14 luminaires

Light technique

Luminaire data for the light planning program
DIALux for outdoor lighting, street lighting and
indoor lighting as well as luminaire data in
EULUMDAT- and IES-format you will find on the
BEGA web page www.bega.com.

Article No. 99 599

LED colour temperature optionally 4000 K
or 3000 K
4000 K – Article number + **K4**
3000 K – Article number + **K3**

Colour graphite or silver
graphite – article number
silver – article number + **A**

Accessories

For this luminaire we recommend the following
BEGA luminaire poles:

Tapered steel poles without visible welding
seam - hot-dip galvanised and lacquered
with access door and C-clamp

70 836 Pole with anch.section H 8000 mm
70 837 Pole with anch.section H 9000 mm

Tapered steel luminaire poles
longitudinally seam-welded · hot-dip galvanised
and lacquered with access door and C rail

71 006 Pole with anch.section H 8000 mm
71 008 Pole with anch.section H 9000 mm
71 010 Pole with anch.section H 10000 mm

For suitable connection boxes please see the
instructions for use of the luminaire poles.

Light distribution

