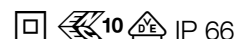


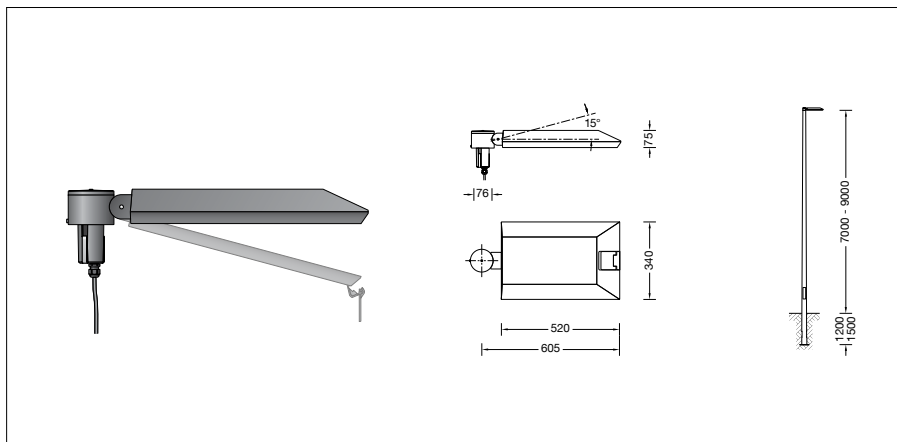
**BEGA****99 596**

Pole top luminaire



Project · Reference number

Date



## Product data sheet

### Application

LED pole top luminaire with asymmetrical flat beam light distribution.  
The asymmetrical and flat beam light distribution is suitable especially for the illumination of streets according to DIN EN 13201.  
For mounting heights 7000 - 9000 mm.

### Product description

Luminaire made of aluminium alloy, aluminium and stainless steel  
BEGA Unidure® coating technology  
Safety glass  
Silicone gasket  
Reflector made of pure anodised aluminium  
Toolless closure  
Adjustable joint for beam direction 0° or 15°  
For pole top  $\varnothing$  76 mm  
Inner diameter of the pole min.62 / max.70 mm  
Slip fitter insert depth 100 mm  
Connecting cable X05BQ-F 4 x 1 □  
Cable length 10 m  
LED power supply unit  
220-240 V  $\sim$  0/50-60 Hz  
DC 176-264 V  
During DC operation the LED power is reduced to 50 %  
DALI controllable  
A basic isolation exists between power cable and control line  
BEGA Thermal Control®  
Temporary thermal regulation to protect temperature-sensitive components without switching off the luminaire  
Safety class II □  
Protection class IP 66  
Dust-tight and protection against strong water jets  
Impact strength IK08  
Protection against mechanical impacts < 5 joule  
☑️ – Safety mark  
CE – Conformity mark  
Horizontal wind catching area: 0.07 m<sup>2</sup>  
Weight: 8.6 kg

### Lamp

Module connected wattage 62 W  
Luminaire connected wattage 69 W  
Rated temperature  $t_a = 25$  °C  
Ambient temperature  $t_{a \max} = 50$  °C

### 99 596 K4

Module designation 4x LED-0847/840  
Colour temperature 4000 K  
Colour rendering index CRI > 80  
Module luminous flux 12380 lm  
Luminaire luminous flux 9885 lm  
Luminaire luminous efficiency 143,3 lm/W

### 99 596 K3

Module designation 4x LED-0847/830  
Colour temperature 3000 K  
Colour rendering index CRI > 80  
Module luminous flux 12040 lm  
Luminaire luminous flux 9613 lm  
Luminaire luminous efficiency 139,3 lm/W

### Service life of the LED

Ambient temperature  $t_a = 25$  °C  
– at > 500,000 h: L70 B50

max. ambient temperature  $t_a = 50$  °C  
– at 165,000 h: L70 B50

### Light technique

Luminaire data for the light planning program DIALux for outdoor lighting, street lighting and indoor lighting as well as luminaire data in EULUMDAT- and IES-format you will find on the BEGA web page [www.bega.com](http://www.bega.com).

### Inrush current

Inrush current: 8 A / 100  $\mu$ s  
Maximum number of luminaires of this type per miniature circuit breaker:  
B 10A: 13 luminaires  
B 16A: 22 luminaires  
C 10A: 13 luminaires  
C 16A: 22 luminaires

### Article No. 99 596

LED colour temperature optionally 4000K or 3000K  
4000 K – Article number + **K4**  
3000 K – Article number + **K3**

Colour graphite or silver  
graphite – article number  
silver – article number + **A**

### Accessories

For this luminaire we recommend the following BEGA luminaire poles:  
Tapered aluminium poles, lacquered with access door and C-clamp  
**70 917** Pole with anch.section H 7000 mm  
**70 726** Pole with anch.section H 8000 mm

Tapered steel poles without visible welding seam · hot-dip galvanised and lacquered with access door and C-clamp  
**70 835** Pole with anch.section H 7000 mm  
**70 836** Pole with anch.section H 8000 mm  
**70 837** Pole with anch.section H 9000 mm

Tapered steel luminaire poles longitudinally seam-welded · hot-dip galvanised and lacquered with access door and C rail  
**71 004** Pole with anch.section H 7000 mm  
**71 006** Pole with anch.section H 8000 mm  
**71 008** Pole with anch.section H 9000 mm

For suitable connection boxes please see the instructions for use of the luminaire poles.

### Light distribution

