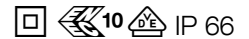


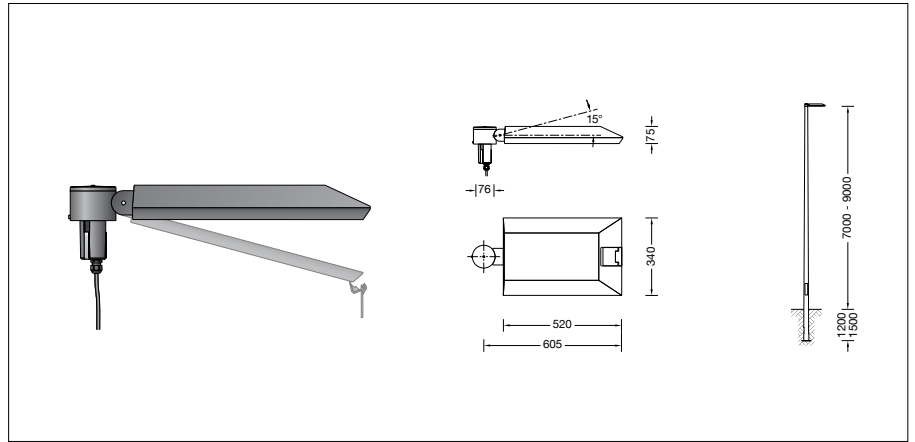
**BEGA****99 595**

Pole top luminaire



Project · Reference number

Date



## Product data sheet

**Application**

LED pole top luminaire with asymmetrical flat beam light distribution.  
The asymmetrical and flat beam light distribution is suitable especially for the illumination of streets according to DIN EN 13201.  
For mounting heights 7000 - 9000 mm.

**Product description**

Luminaire made of aluminium alloy, aluminium and stainless steel  
Safety glass  
Silicone gasket  
Reflector made of pure anodised aluminium  
Toolless closure  
Adjustable joint for beam direction 0° or 15°  
For pole top  $\varnothing$  76 mm  
Inner diameter of the pole min. 62 / max. 70 mm  
Slip fitter insert depth 100 mm  
Connecting cable X05BQ-F 4 x 1<sup>□</sup>  
Cable length 10 m  
LED power supply unit  
220-240 V  $\sim$  0/50-60 Hz  
DC 176-264 V  
During DC operation the LED power is reduced to 50 %  
DALI controllable  
A basic isolation exists between power cable and control line  
Safety class II   
Protection class IP 66  
Dust-tight and protection against strong water jets  
Impact strength IK08  
Protection against mechanical impacts < 5 joule  
 – Safety mark  
**CE** – Conformity mark  
Horizontal wind catching area: 0.07 m<sup>2</sup>  
Weight: 8.6 kg

**Lamp**

Module connected wattage 46.4 W  
Luminaire connected wattage 53.2 W  
Rated temperature  $t_a = 25$  °C  
Ambient temperature  $t_{a,max} = 50$  °C

**99 595 K4**

Module designation 4x LED-0848/840  
Colour temperature 4000 K  
Colour rendering index CRI > 80  
Module luminous flux 9280 lm  
Luminaire luminous flux 7770 lm  
Luminaire luminous efficiency 146,1 lm/W

**99 595 K3**

Module designation 4x LED-0848/830  
Colour temperature 3000 K  
Colour rendering index CRI > 80  
Module luminous flux 9020 lm  
Luminaire luminous flux 7553 lm  
Luminaire luminous efficiency 142 lm/W

**Service life of the LED**

Ambient temperature  $t_a = 25$  °C  
– at > 500,000h: L70B50

max. ambient temperature  $t_a = 50$  °C  
– at 260,000h: L70B50

**Light technique**

Luminaire data for the light planning program  
DIALux for outdoor lighting, street lighting and indoor lighting as well as luminaire data in EULUMDAT- and IES-format you will find on the BEGA web page [www.bega.com](http://www.bega.com).

**Inrush current**

Inrush current: 8 A / 100  $\mu$ s  
Maximum number of luminaires of this type per miniature circuit breaker:  
B 10A: 13 luminaires  
B 16A: 22 luminaires  
C 10A: 13 luminaires  
C 16A: 22 luminaires

**Article No. 99 595**

LED colour temperature optionally 4000 K or 3000 K  
4000 K – Article number + **K4**  
3000 K – Article number + **K3**

Colour graphite or silver  
graphite – article number  
silver – article number + **A**

**Accessories**

For this luminaire we recommend the following BEGA luminaire poles:

Tapered aluminium poles, lacquered with access door and C-clamp  
**70 917** Pole with anch.section H 7000 mm  
**70 726** Pole with anch.section H 8000 mm

Tapered steel poles without visible welding seam - hot-dip galvanised and lacquered with access door and C-clamp  
**70 835** Pole with anch.section H 7000 mm  
**70 836** Pole with anch.section H 8000 mm  
**70 837** Pole with anch.section H 9000 mm

Tapered steel luminaire poles longitudinally seam-welded · hot-dip galvanised and lacquered with access door and C rail  
**71 004** Pole with anch.section H 7000 mm  
**71 006** Pole with anch.section H 8000 mm  
**71 008** Pole with anch.section H 9000 mm

For suitable connection boxes please see the instructions for use of the luminaire poles.

**Light distribution**