

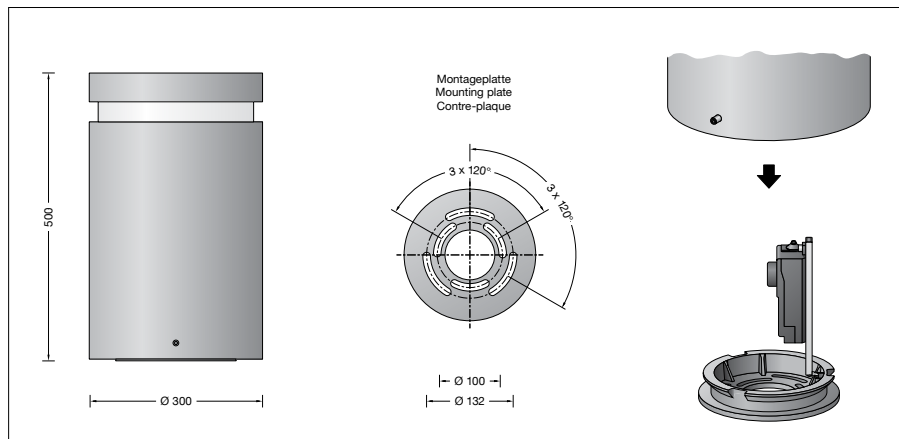
**BEGA****99 578**

Bollard



Project · Reference number

Date



## Product data sheet

### Application

LED bollard for rotationally symmetrical illumination of floor spaces.

Due to the stable construction of this luminaire it is suitable for areas in which a high requirement of a robust construction is necessary.

### Product description

Luminaire made of aluminium alloy, aluminium and stainless steel  
 Borosilicate glass  
 Silicone gasket  
 Reflector made of pure anodised aluminium  
 All-side light output 360°  
 Luminaire with mounting plate for bolting onto a foundation or an anchorage unit  
 Mounting plate with two pitch circles:  
 $\varnothing$  100 mm, 3 elongated holes 9 mm wide  
 $\varnothing$  132 mm, 3 elongated holes 9 mm wide  
 Luminaire can be aligned on the mounting plate around 360°  
 Mounting bracket with connection box 70 632 for through-wiring – for 2 cables up to 5 × 4<sup>□</sup> with fuse Neozed D 01 · 6 A  
 LED power supply unit  
 220-240 V  $\sim$  0/50-60 Hz  
 DC 198-280 V  
 Safety class I  
 Protection class IP 65  
 Dust-tight and protection against water jets  
 Impact strength IK10  
 Protection against mechanical impacts < 20 joule  
 – Safety mark  
 – Conformity mark  
 Weight: 12.2 kg

### Lamp

Module connected wattage	12.4 W
Luminaire connected wattage	14.6 W
Rated temperature	$t_a = 25\text{ °C}$
Ambient temperature	$t_{a\text{max}} = 60\text{ °C}$

On request we can offer you modifications for environments with higher temperatures as a customized product.

### 99 578 K3

Module designation	LED-0478/830
Colour temperature	3000 K
Colour rendering index	CRI > 80
Module luminous flux	1880 lm
Luminaire luminous flux	704 lm
Luminaire luminous efficiency	48,2 lm/W

### 99 578 K4

Module designation	LED-0478/840
Colour temperature	4000 K
Colour rendering index	CRI > 80
Module luminous flux	1900 lm
Luminaire luminous flux	711 lm
Luminaire luminous efficiency	48,7 lm/W

### Lifetime of the LED

Ambient temperature  $t_a = 15\text{ °C}$   
 – at 50,000 h: L90 B10  
 – at > 500,000 h: L70 B50

Ambient temperature  $t_a = 25\text{ °C}$   
 – at 50,000 h: L90 B10  
 – at > 500,000 h: L70 B50

max. ambient temperature  $t_a = 60\text{ °C}$   
 – at 50,000 h: L80 B10  
 – at 340,000 h: L70 B50

### Inrush current

Inrush current: 5 A / 50  $\mu$ s  
 Maximum number of luminaires of this type per miniature circuit breaker:  
 B 10A: 30 luminaires  
 B 16A: 50 luminaires  
 C 10A: 52 luminaires  
 C 16A: 80 luminaires

### Light technique

Luminaire data for the light planning program DIALux for outdoor lighting, street lighting and indoor lighting as well as luminaire data in EULUMDAT- and IES-format you will find on the BEGA web page [www.bega.com](http://www.bega.com).

### Article No. 99 578

LED colour temperature optionally 3000 K or 4000 K  
 3000 K – Article number + **K3**  
 4000 K – Article number + **K4**

Colour graphite or silver  
 graphite – article number  
 silver – article number + **A**

### Accessory

**70 896** Anchorage unit  
 Anchorage unit with mounting flange made of hot-dip galvanised steel. Total length 500 mm.  
 3 stainless steel fixing screws M 8.  
 Pitch circle  $\varnothing$  132 mm.

### Light distribution

