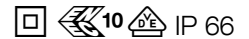


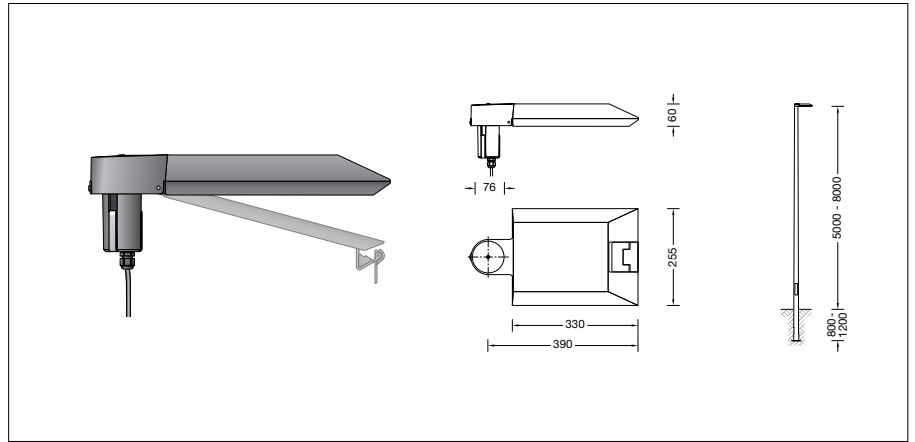
BEGA**99 556**

Pole top luminaire



Project · Reference number

Date



Product data sheet

Application

LED pole top luminaire with asymmetrical flat beam light distribution.
The asymmetrical and flat beam light distribution is suitable especially for the illumination of streets according to DIN EN 13201.
For mounting heights 5000 - 8000 mm.

Product description

Luminaire made of aluminium alloy, aluminium and stainless steel
Safety glass
Silicone gasket
Reflector made of pure anodised aluminium
Toolless closure
For pole top \varnothing 76 mm
Inner diameter of the pole min.62 / max.70 mm
Slip fitter insert depth 90 mm
Connecting cable X05BQ-F 4 x 1⁰
Cable length 8 m
LED power supply unit
220-240 V \sphericalangle 0/50-60 Hz
DC 176-264 V
During DC operation the LED power is reduced to 50 %
DALI controllable
A basic isolation exists between power cable and control line
Safety class II
Protection class IP 66
Dust-tight and protection against strong water jets
Impact strength IK08
Protection against mechanical impacts < 5 joule
 – Safety mark
CE – Conformity mark
Horizontal wind catching area: 0.03 m²
Weight: 4.6 kg

Lamp

Module connected wattage 31 W
Luminaire connected wattage 34.5 W
Rated temperature $t_a = 25$ °C
Ambient temperature $t_{a,max} = 50$ °C

99 556 K4

Module designation 2x LED-0847/840
Colour temperature 4000 K
Colour rendering index CRI > 80
Module luminous flux 6190 lm
Luminaire luminous flux 4882 lm
Luminaire luminous efficiency 141,5 lm/W

99 556 K3

Module designation 2xLED-0847/830
Colour temperature 3000 K
Colour rendering index CRI > 80
Module luminous flux 6020 lm
Luminaire luminous flux 4748 lm
Luminaire luminous efficiency 137,6 lm/W

Service life of the LED

Ambient temperature $t_a = 25$ °C
– at > 500,000h: L 70 B 50

max. ambient temperature $t_a = 50$ °C
– at 214,000h: L 70 B 50

Light technique

Luminaire data for the light planning program DIALux for outdoor lighting, street lighting and indoor lighting as well as luminaire data in EULUMDAT- and IES-format you will find on the BEGA web page www.bega.com.

Inrush current

Inrush current: 5 A / 100 μ s
Maximum number of luminaires of this type per miniature circuit breaker:
B 10A: 27 luminaires
B 16A: 44 luminaires
C 10A: 27 luminaires
C 16A: 44 luminaires

Article No. 99 556

LED colour temperature optionally 4000 K or 3000 K
4000 K – Article number + **K4**
3000 K – Article number + **K3**

Colour graphite or silver
graphite – article number
silver – article number + **A**

Accessories

Tapered aluminium poles, lacquered with access door and C-clamp
70 915 Pole with anch.section H 5000 mm
70 916 Pole with anch.section H 6000 mm
70 917 Pole with anch.section H 7000 mm
Cylindrically stepped aluminium poles, lacquered with access door and C-clamp
70 901 Pole with anch.section H 4000 mm
70 903 Pole with anch.section H 5000 mm
70 905 Pole with anch.section H 6000 mm

Cylindrically stepped aluminium poles, lacquered with door and C rail
70 900 Pole with baseplate H 4000 mm
70 902 Pole with baseplate H 5000 mm
70 904 Pole with baseplate H 6000 mm

Tapered steel poles without visible welding seam - hot-dip galvanised and lacquered with access door and C-clamp
70 886 Pole with anch.section H 5000 mm
70 834 Pole with anch.section H 6000 mm
70 835 Pole with anch.section H 7000 mm

For suitable connection boxes please see the instructions for use of the luminaire poles.

Light distribution