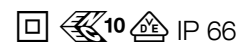


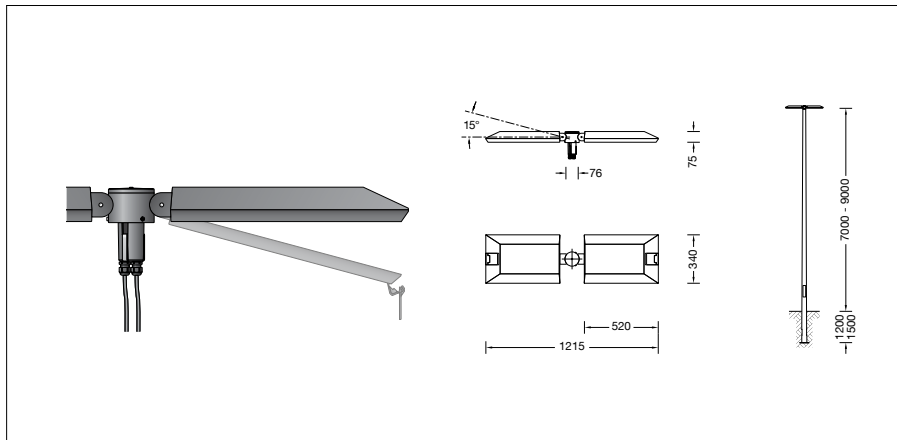
BEGA**99 533**

Pole top luminaire



Project · Reference number

Date



Product data sheet

Application

LED pole top luminaire with asymmetrical light distribution for a spatial deep illumination of surfaces and open spaces.
For mounting heights 7000 - 9000 mm.

Product description

Luminaire made of aluminium alloy, aluminium and stainless steel
Safety glass, antireflection-coated
Silicone gasket
Reflector made of pure anodised aluminium
Toolless closure
For pole top \varnothing 76 mm
Inner diameter of the pole min.62 / max.70 mm
Slip fitter insert depth 100 mm
2 x Connecting cable X05BQ-F 4 x 1[□]
Cable length 9 m
LED power supply unit
220-240 V \sim 0/50-60 Hz
DC 176-264 V
During DC operation the LED power is reduced to 50 %
DALI controllable
A basic isolation exists between power cable and control line
Safety class II
Protection class IP 66
Dust-tight and protection against strong water jets
Impact strength IK08
Protection against mechanical impacts < 5 joule
 – Safety mark
CE – Conformity mark
Horizontal wind catching area: 0.09 m²
Weight: 18.9 kg

Lamp

Module connected wattage 2x 62 W
Luminaire connected wattage 138 W
Rated temperature $t_a = 25$ °C
Ambient temperature $t_{a,max} = 50$ °C

99 533 K4

Module designation 8x LED-0561/840
Colour temperature 4000 K
Colour rendering index CRI > 80
Module luminous flux 24760 lm
Luminaire luminous flux 19831 lm
Luminaire luminous efficiency 143,7 lm/W

99 533 K3

Module designation 8x LED-0561/830
Colour temperature 3000 K
Colour rendering index CRI > 80
Module luminous flux 24080 lm
Luminaire luminous flux 19608 lm
Luminaire luminous efficiency 142,1 lm/W

Service life of the LED

Ambient temperature $t_a = 25$ °C
– at > 500,000h: L70B50

max. ambient temperature $t_a = 50$ °C
– at 113,000h: L70B50

Light technique

Luminaire data for the light planning program DIALux for outdoor lighting, street lighting and indoor lighting as well as luminaire data in EULUMDAT- and IES-format you will find on the BEGA web page www.bega.com.

Inrush current

Inrush current: 8 A / 100 μ s
Maximum number of luminaires of this type per miniature circuit breaker:
B 10A: 13 luminaires
B 16A: 22 luminaires
C 10A: 13 luminaires
C 16A: 22 luminaires

Article No. 99 533

LED colour temperature optionally 4000 K or 3000 K
4000 K – Article number + **K4**
3000 K – Article number + **K3**

Colour graphite or silver
graphite – article number
silver – article number + **A**

Accessories

For this luminaire we recommend the following BEGA luminaire poles:

Tapered aluminium poles · lacquered with access door and C-clamp
70 917 Pole with anch.section H 7000 mm
70 726 Pole with anch.section H 8000 mm

Tapered steel poles without visible welding seam - hot-dip galvanised and lacquered with access door and C-clamp
70 835 Pole with anch.section H 7000 mm
70 836 Pole with anch.section H 8000 mm
70 837 Pole with anch.section H 9000 mm

Tapered steel luminaire poles longitudinally seam-welded · hot-dip galvanised and lacquered with access door and C rail
71 004 Pole with anch.section H 7000 mm
71 006 Pole with anch.section H 8000 mm
71 008 Pole with anch.section H 9000 mm

For suitable connection boxes please see the instructions for use of the luminaire poles.

Light distribution