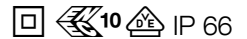


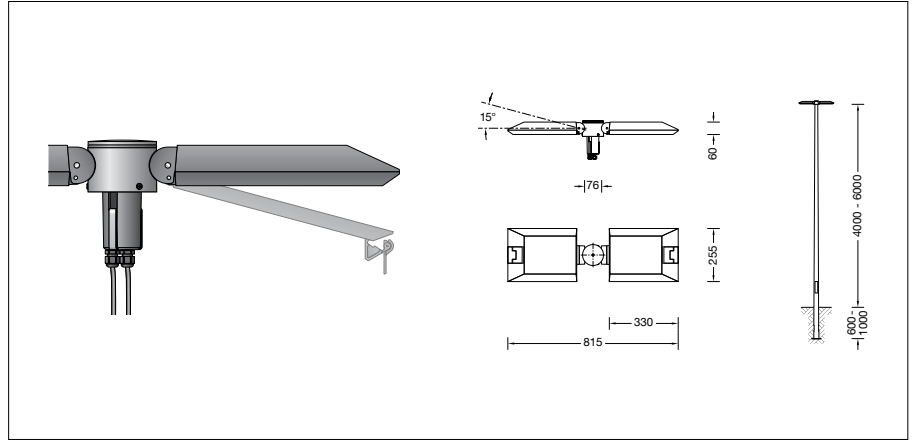
BEGA**99 528**

Pole top luminaire



Project · Reference number

Date






Product data sheet

Application

LED pole top luminaire with asymmetrical light distribution for a spatial deep illumination of surfaces and open spaces.
For mounting heights 4000 - 6000 mm.

Product description

Luminaire made of aluminium alloy, aluminium and stainless steel
Safety glass, antireflection-coated
Silicone gasket
Reflector made of pure anodised aluminium
Toolless closure
Adjustable joint for beam direction 0° or 15°
For pole top \varnothing 76 mm
Inner diameter of the pole min.62 / max.70 mm
Slip fitter insert depth 90 mm
2 x Connecting cable X05BQ-F 4 x 1 □
Cable length 6 m
LED power supply unit
220-240 V \sim 0/50-60 Hz
DC 176-264 V
During DC operation the LED power is reduced to 50 %
DALI controllable
A basic isolation exists between power cable and control line
Safety class II 
Protection class IP 66
Dust-tight and protection against strong water jets
Impact strength IK08
Protection against mechanical impacts < 5 joule
 – Safety mark
 – Conformity mark
Horizontal wind catching area: 0.05 m²
Weight: 9.0 kg

Lamp

Module connected wattage 2x 23.3 W
Luminaire connected wattage 51.4 W
Rated temperature $t_a = 25$ °C
Ambient temperature $t_{a \max} = 55$ °C

99 528 K4

Module designation 2x LED-0558/840
Colour temperature 4000 K
Colour rendering index CRI > 80
Module luminous flux 9280 lm
Luminaire luminous flux 7380 lm
Luminaire luminous efficiency 143,6 lm/W

99 528 K3

Module designation 2x LED-0558/830
Colour temperature 3000 K
Colour rendering index CRI > 80
Module luminous flux 9020 lm
Luminaire luminous flux 7174 lm
Luminaire luminous efficiency 139,6 lm/W

Service life of the LED

Ambient temperature $t_a = 25$ °C
– at > 500,000h: L70B50

max. ambient temperature $t_a = 55$ °C
– at 161,000h: L70B50

Light technique

Luminaire data for the light planning program DIALux for outdoor lighting, street lighting and indoor lighting as well as luminaire data in EULUMDAT- and IES-format you will find on the BEGA web page www.bega.com.

Inrush current

Inrush current: 5 A / 100 μ s
Maximum number of luminaires of this type per miniature circuit breaker:
B 10A: 27 luminaires
B 16A: 44 luminaires
C 10A: 27 luminaires
C 16A: 44 luminaires

Article No. 99 528

LED colour temperature optionally 4000K or 3000K
4000 K – Article number + **K4**
3000 K – Article number + **K3**

Colour graphite or silver
graphite – article number
silver – article number + **A**

Accessories

For this luminaire we recommend the following BEGA luminaire poles:

Tapered aluminium poles · lacquered with access door and C-clamp

70 914 Pole with anch.section H 4000 mm
70 725 Pole with anch.section H 4500 mm
70 915 Pole with anch.section H 5000 mm
70 916 Pole with anch.section H 6000 mm

70 791 Pole with baseplate H 4000 mm
70 792 Pole with baseplate H 4500 mm
70 794 Pole with baseplate H 5000 mm

Cylindrically stepped aluminium poles, lacquered with door und C rail

70 901 Pole with anch.section H 4000 mm
70 903 Pole with anch.section H 5000 mm
70 905 Pole with anch.section H 6000 mm

70 900 Pole with baseplate H 4000 mm
70 902 Pole with baseplate H 5000 mm
70 904 Pole with baseplate H 6000 mm

For suitable connection boxes please see the instructions for use of the luminaire poles.

Light distribution