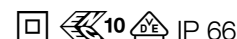


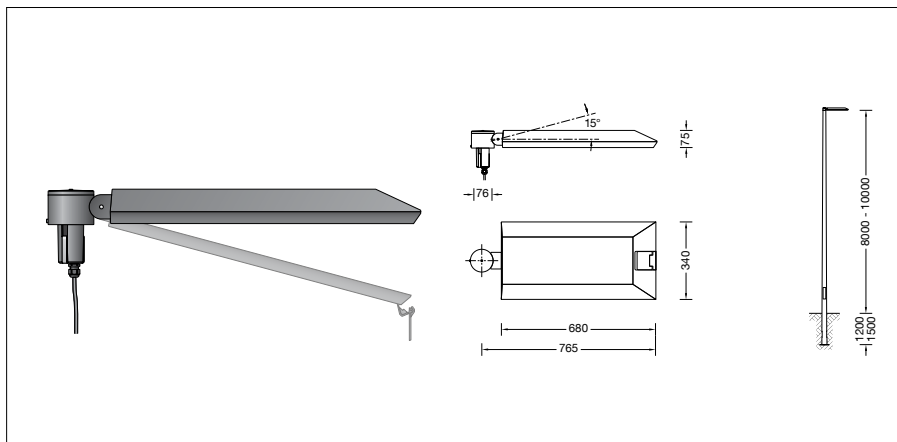
BEGA**99 527**

Pole top luminaire



Project · Reference number

Date

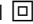
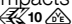


Product data sheet

Application

LED pole top luminaire with asymmetrical light distribution for a spatial deep illumination of surfaces and open spaces.
For mounting heights 8000 - 10000 mm.

Product description

Luminaire made of aluminium alloy, aluminium and stainless steel
BEGA Unidure® coating technology
Safety glass, antireflection-coated
Silicone gasket
Reflector made of pure anodised aluminium
Toolless closure
Adjustable joint for beam direction 0° or 15°
For pole top \varnothing 76 mm
Inner diameter of the pole min. 62 / max. 70 mm
Slip fitter insert depth 100 mm
Connecting cable X05BQ-F 4 x 1[□]
Cable length 10 m
LED power supply unit
220-240 V \sim 0/50-60 Hz
DC 176-264 V
DALI controllable
A basic isolation exists between power cable and control line
BEGA Thermal Control®
Temporary thermal regulation to protect temperature-sensitive components without switching off the luminaire
Safety class II 
Protection class IP 66
Dust-tight and protection against strong water jets
Impact strength IK09
Protection against mechanical impacts < 10 joule
 - Safety mark
CE - Conformity mark
Horizontal wind catching area: 0.08 m²
Weight: 11.3 kg

Lamp

Module connected wattage 93 W
Luminaire connected wattage 103 W
Rated temperature $t_a = 25$ °C
Ambient temperature $t_{a \max} = 55$ °C

99 527 K4

Module designation 6x LED-0561/840
Colour temperature 4000 K
Colour rendering index CRI > 80
Module luminous flux 18570 lm
Luminaire luminous flux 14094 lm
Luminaire luminous efficiency 136,8 lm/W

99 527 K3

Module designation 6x LED-0561/830
Colour temperature 3000 K
Colour rendering index CRI > 80
Module luminous flux 18060 lm
Luminaire luminous flux 13707 lm
Luminaire luminous efficiency 133,1 lm/W

Service life · Ambient temperature

Rated temperature $t_a = 25$ °C
LED psu: > 50,000 h
LED module: > 200,000 h (L 80 B 50)
100,000 h (L 90 B 50)

Ambient temperature $t_{a \max} = 55$ °C (100 %)

LED psu: 50,000 h
LED module: 79,000 h (L 80 B 50)
100,000 h (L 70 B 50)

Inrush current

Inrush current: 12 A / 100 μ s
Maximum number of luminaires of this type per miniature circuit breaker:
B 10A: 11 luminaires
B 16A: 18 luminaires
C 10A: 11 luminaires
C 16A: 18 luminaires

Light technique

Luminaire data for the light planning program DIALux for outdoor lighting, street lighting and indoor lighting as well as luminaire data in EULUMDAT- and IES-format you will find on the BEGA web page www.bega.com.

Article No. 99 527

LED colour temperature optionally 4000 K or 3000 K
4000 K – Article number + **K4**
3000 K – Article number + **K3**

Colour graphite or silver
graphite – article number
silver – article number + **A**

Accessories

For this luminaire we recommend the following BEGA luminaire poles:

Tapered steel poles without visible welding seam · hot-dip galvanised and lacquered with access door and C-clamp
70 836 Pole with anch. section H 8000 mm
70 837 Pole with anch. section H 9000 mm

For suitable connection boxes please see the instructions for use of the luminaire poles.

Light distribution