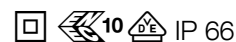


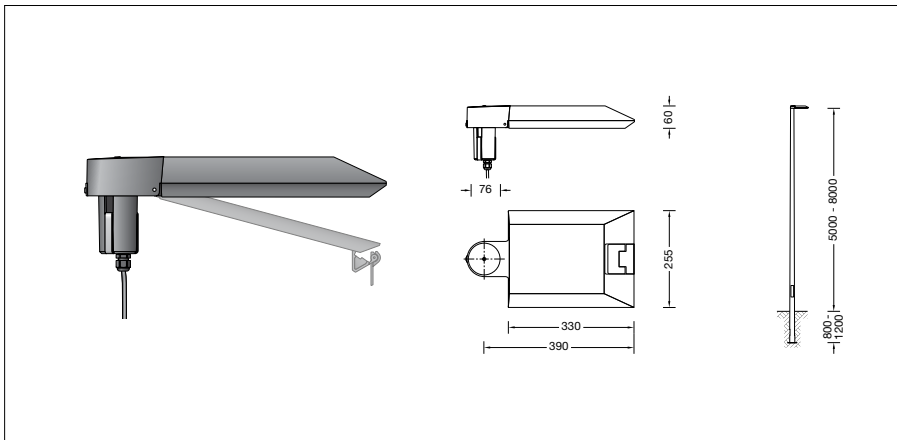
BEGA**99 519**

Pole top luminaire



Project · Reference number

Date



Product data sheet

Application

LED pole top luminaire with asymmetrical light distribution for in-depth illumination of surfaces and squares.

For mounting heights 5000 - 8000 mm.

Product description

Luminaire made of aluminium alloy, aluminium and stainless steel

Safety glass, antireflection-coated

Silicone gasket

Reflector made of pure anodised aluminium

Toolless closure

For pole top \varnothing 76 mm

Inner diameter of the pole min.62 / max.70 mm

Slip fitter insert depth 90 mm

Connecting cable X05BQ-F 4 x 1[□]

Cable length 8 m

LED power supply unit

220-240 V \sim 0/50-60 Hz

DC 176-264 V

During DC operation the LED power

is reduced to 50 %

DALI controllable

A basic isolation exists between power cable and control line

Safety class II

Protection class IP 66

Dust-tight and protection against strong water jets

Impact strength IK08

Protection against mechanical

impacts < 5 joule

– Safety mark

– Conformity mark

Horizontal wind catching area: 0.03 m²

Weight: 4.6 kg

Lamp

Module connected wattage 31 W

Luminaire connected wattage 34.5 W

Rated temperature $t_a = 25$ °C

Ambient temperature $t_{a,max} = 35$ °C

On request we can offer you modifications for environments with higher temperatures as a customized product.

99 519 K4

Module designation LED-0559/840

Colour temperature 4000 K

Colour rendering index CRI > 80

Module luminous flux 6190 lm

Luminaire luminous flux 5135 lm

Luminaire luminous efficiency 148,8 lm/W

99 519 K3

Module designation LED-0559/830

Colour temperature 3000 K

Colour rendering index CRI > 80

Module luminous flux 6015 lm

Luminaire luminous flux 4989 lm

Luminaire luminous efficiency 144,6 lm/W

Service life of the LED

Ambient temperature $t_a = 25$ °C

– at > 500,000h: L 70 B 50

max. ambient temperature $t_a = 35$ °C

– at 396,000h: L 70 B 50

Ambient temperature $t_{a,max} = 50$ °C (75 %)

LED psu: 50,000h

LED module: 50,000h

BEGA Thermal Control® protects temperature-sensitive luminaire components by temporarily limiting the nominal power at high temperatures.

Light technique

Luminaire data for the light planning program DIALux for outdoor lighting, street lighting and indoor lighting as well as luminaire data in EULUMDAT- and IES-format you will find on the BEGA web page www.bega.com.

Inrush current

Inrush current: 5 A / 100 μ s

Maximum number of luminaires of this type per miniature circuit breaker:

B 10A: 27 luminaires

B 16A: 44 luminaires

C 10A: 27 luminaires

C 16A: 44 luminaires

Article No. 99 519

LED colour temperature optionally 4000 K or 3000 K

4000 K – Article number + **K4**

3000 K – Article number + **K3**

Colour graphite or silver

graphite – article number

silver – article number + **A**

Accessories

For this luminaire we recommend the following BEGA luminaire poles:

Tapered aluminium poles · lacquered with access door and C-clamp

70 915 Pole with anch.section H 5000 mm

70 916 Pole with anch.section H 6000 mm

70 917 Pole with anch.section H 7000 mm

70 726 Pole with anch.section H 8000 mm

Cylindrically stepped aluminium poles, lacquered with door und C rail

70 903 Pole with anch.section H 5000 mm

70 905 Pole with anch.section H 6000 mm

70 902 Pole with baseplate H 5000 mm

70 904 Pole with baseplate H 6000 mm

Tapered steel poles without visible welding seam - hot-dip galvanised and lacquered with access door and C-clamp

70 886 Pole with anch.section H 5000 mm

70 834 Pole with anch.section H 6000 mm

70 835 Pole with anch.section H 7000 mm

70 836 Pole with anch.section H 8000 mm

For suitable connection boxes please see the instructions for use of the luminaire poles.

Light distribution