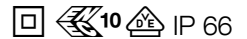


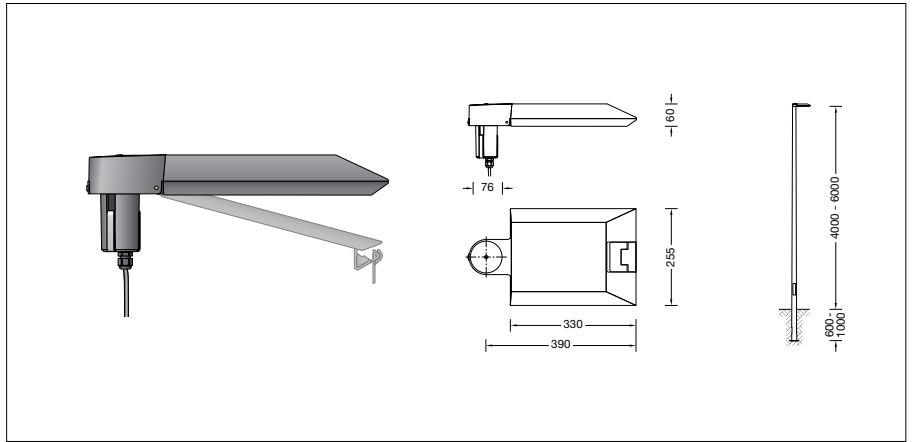
BEGA**99 515**

Pole top luminaire






Project · Reference number

Date



Product data sheet

Product description

Luminaire made of aluminium alloy,
aluminium and stainless steel
BEGA Unidure® coating technology
Safety glass, antireflection-coated
Silicone gasket
Reflector made of pure anodised aluminium
Toolless closure
For pole top \varnothing 76 mm
Inner diameter of the pole min.62 / max.70 mm
Slip fitter insert depth 90 mm
Connecting cable X05BQ-F 4 x 1[□]
Cable length 6 m
LED power supply unit
220-240 V \sim 0/50-60 Hz
DC 176-264 V
During DC operation the LED power
is reduced to 50 %
DALI controllable
A basic isolation exists between power cable
and control line
BEGA Thermal Control®
Temporary thermal regulation to protect
temperature-sensitive components without
switching off the luminaire
Safety class II 
Protection class IP 66
Dust-tight and protection against strong water
jets
Impact strength IK08
Protection against mechanical
impacts < 5 joule
 – Safety mark
 – Conformity mark
Horizontal wind catching area: 0.03 m²
Weight: 4.4 kg

Application

LED pole top luminaire with asymmetrical light
distribution for in-depth illumination of surfaces
and squares.
For mounting heights 4000 - 6000 mm.

Lamp

Module connected wattage 23.3 W
Luminaire connected wattage 26 W
Rated temperature $t_a = 25 \text{ }^\circ\text{C}$
Ambient temperature $t_{a \text{ max}} = 55 \text{ }^\circ\text{C}$

99 515 K4

Module designation LED-0558/840
Colour temperature 4000 K
Colour rendering index CRI > 80
Module luminous flux 4640 lm
Luminaire luminous flux 3690 lm
Luminaire luminous efficiency 141,9 lm/W

99 515 K3

Module designation LED-0558/830
Colour temperature 3000 K
Colour rendering index CRI > 80
Module luminous flux 4510 lm
Luminaire luminous flux 3587 lm
Luminaire luminous efficiency 138 lm/W

Service life of the LED

Ambient temperature $t_a = 25 \text{ }^\circ\text{C}$
– at > 500,000h: L70B50

max. ambient temperature $t_a = 55 \text{ }^\circ\text{C}$
– at 161,000h: L70B50

Light technique

Luminaire data for the light planning program
DIALux for outdoor lighting, street lighting and
indoor lighting as well as luminaire data in
EULUMDAT- and IES-format you will find on the
BEGA web page www.bega.com.

Inrush current

Inrush current: 5 A / 100 μs
Maximum number of luminaires of this
type per miniature circuit breaker:
B 10A: 27 luminaires
B 16A: 44 luminaires
C 10A: 27 luminaires
C 16A: 44 luminaires

Article No. 99 515

LED colour temperature optionally 4000 K
or 3000 K

4000 K – Article number + **K4**
3000 K – Article number + **K3**

Colour graphite or silver
graphite – article number
silver – article number + **A**

Accessories

For this luminaire we recommend the following
BEGA luminaire poles:

Tapered aluminium poles · lacquered
with access door and C-clamp

70 914	Pole with anch.section	H 4000 mm
70 725	Pole with anch.section	H 4500 mm
70 915	Pole with anch.section	H 5000 mm
70 916	Pole with anch.section	H 6000 mm
70 791	Pole with baseplate	H 4000 mm
70 792	Pole with baseplate	H 4500 mm
70 794	Pole with baseplate	H 5000 mm

Cylindrically stepped aluminium poles,
lacquered with door und C rail

70 901	Pole with anch.section	H 4000 mm
70 903	Pole with anch.section	H 5000 mm
70 905	Pole with anch.section	H 6000 mm
70 900	Pole with baseplate	H 4000 mm
70 902	Pole with baseplate	H 5000 mm
70 904	Pole with baseplate	H 6000 mm

For suitable connection boxes please see the
instructions for use of the luminaire poles.

Light distribution