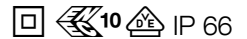


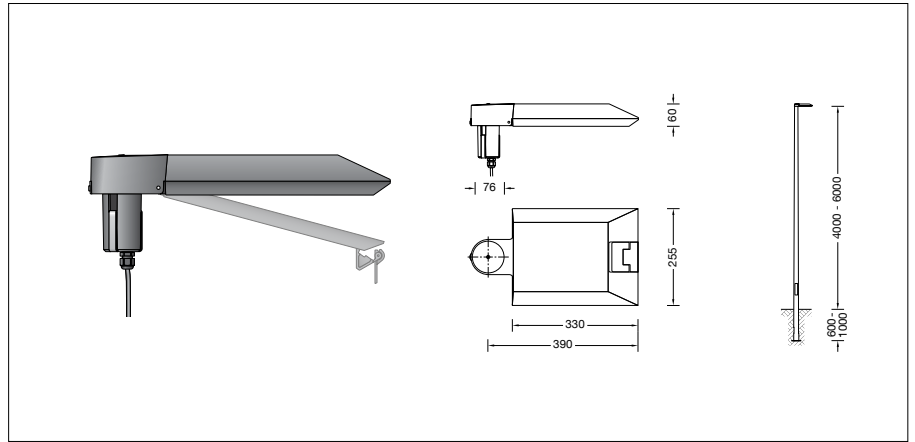
BEGA**99 491**

Pole top luminaire



Project · Reference number

Date

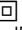
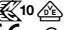


Product data sheet

Application

LED pole top luminaire with asymmetrical flat beam light distribution.
The asymmetrical and flat beam light distribution is suitable especially for the illumination of streets according to DIN EN 13201.
For mounting heights 4000 - 6000 mm.

Product description

Luminaire made of aluminium alloy, aluminium and stainless steel
Safety glass, antireflection-coated
Silicone gasket
Reflector made of pure anodised aluminium
Toolless closure
For pole top \varnothing 76 mm
Inner diameter of the pole min.62 / max.70 mm
Slip fitter insert depth 90 mm
Connecting cable X05BQ-F 4 x 1[□]
Cable length 6 m
LED power supply unit
220-240 V \sim 0/50-60 Hz
DC 176-276 V
DALI controllable
A basic isolation exists between power cable and control line
BEGA Thermal Control®
Temporary thermal regulation to protect temperature-sensitive components without switching off the luminaire
Safety class II 
Protection class IP 66
Dust-tight and protection against strong water jets
Impact strength IK08
Protection against mechanical impacts < 5 joule
 - Safety mark
CE - Conformity mark
Horizontal wind catching area: 0.03 m²
Weight: 4.3 kg

Lamp

Module connected wattage 15.4 W
Luminaire connected wattage 17.6 W
Rated temperature $t_a = 25$ °C
Ambient temperature $t_{a \max} = 50$ °C

99 491 K4

Module designation 2xLED-0850/840
Colour temperature 4000 K
Colour rendering index CRI > 80
Module luminous flux 3090 lm
Luminaire luminous flux 2474 lm
Luminaire luminous efficiency 140,6 lm/W

99 491 K3

Module designation 2xLED-0850/830
Colour temperature 3000 K
Colour rendering index CRI > 80
Module luminous flux 3000 lm
Luminaire luminous flux 2402 lm
Luminaire luminous efficiency 136,5 lm/W

Service life · Ambient temperature

Rated temperature $t_a = 25$ °C
LED psu: > 50,000 h
LED module: > 200,000 h (L 80 B 50)
100,000 h (L 90 B 50)

Ambient temperature $t_{a \max} = 50$ °C (100 %)

LED psu: 50,000 h
LED module: > 200,000 h (L 80 B 50)
100,000 h (L 90 B 50)

Light technique

Luminaire data for the light planning program
DIALux for outdoor lighting, street lighting and indoor lighting as well as luminaire data in EULUMDAT- and IES-format you will find on the BEGA web page www.bega.com.

Inrush current

Inrush current: 12 A / 24.2 μ s
Maximum number of luminaires of this type per miniature circuit breaker:
B 10 A: 50 luminaires
B 16 A: 50 luminaires
C 10 A: 50 luminaires
C 16 A: 50 luminaires

Article No. 99 491

LED colour temperature optionally 4000K or 3000K
4000 K – Article number + **K4**
3000 K – Article number + **K3**

Colour graphite or silver
graphite – article number
silver – article number + **A**

Accessories

For this luminaire we recommend the following BEGA luminaire poles:

Tapered aluminium poles · lacquered with access door and C-clamp

70 914	Pole with anch.section	H 4000 mm
70 725	Pole with anch.section	H 4500 mm
70 915	Pole with anch.section	H 5000 mm
70 916	Pole with anch.section	H 6000 mm
70 791	Pole with baseplate	H 4000 mm
70 792	Pole with baseplate	H 4500 mm
70 794	Pole with baseplate	H 5000 mm

Cylindrically stepped aluminium poles, lacquered with door und C rail

70 901	Pole with anch.section	H 4000 mm
70 903	Pole with anch.section	H 5000 mm
70 905	Pole with anch.section	H 6000 mm
70 900	Pole with baseplate	H 4000 mm
70 902	Pole with baseplate	H 5000 mm
70 904	Pole with baseplate	H 6000 mm

For suitable connection boxes please see the instructions for use of the luminaire poles.

Light distribution