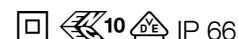


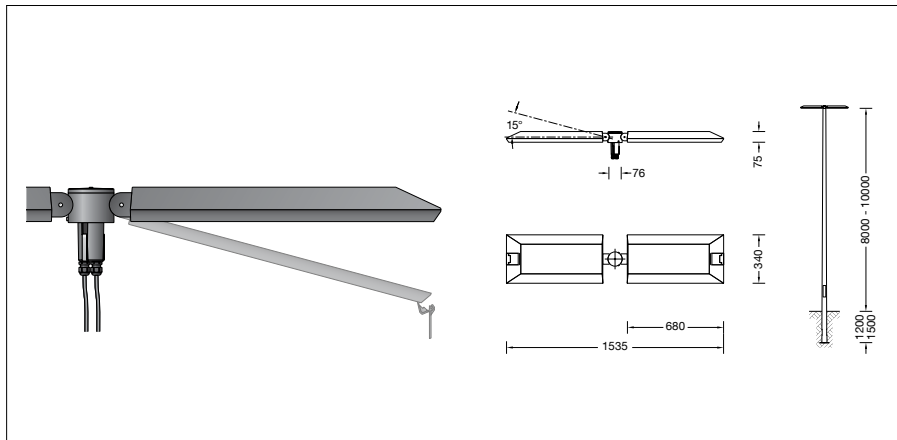
BEGA**99 481**

Pole top luminaire



Project · Reference number

Date



Product data sheet

Application

LED pole top luminaire with asymmetrical flat beam light distribution.
For mounting heights 8000 - 10000 mm.

Product description

Luminaire made of aluminium alloy, aluminium and stainless steel
BEGA Unidure® coating technology
Safety glass, antireflection-coated
Silicone gasket
Toolless closure
For pole top \varnothing 76 mm
Inner diameter of the pole min.62 / max.70 mm
Slip fitter insert depth 100 mm
2 x Connecting cable X05BQ-F 4 x 1[□]
Cable length 10 m
LED power supply unit
220-240 V \sim 0/50-60 Hz
DC 176-264 V
During DC operation the LED power is reduced to 50 %
DALI controllable
A basic isolation exists between power cable and control line
BEGA Thermal Control®
Temporary thermal regulation to protect temperature-sensitive components without switching off the luminaire
Safety class II \square
Protection class IP 66
Dust-tight and protection against strong water jets
Impact strength IK09
Protection against mechanical impacts < 10 joule
 – Safety mark
 – Conformity mark
Horizontal wind catching area: 0.11 m²
Weight: 19.8 kg

Lamp

Module connected wattage 2x 93 W
Luminaire connected wattage 206 W
Rated temperature $t_a = 25$ °C
Ambient temperature $t_{a \max} = 45$ °C

99 481 K4

Module designation 12x LED-0847/840
Colour temperature 4000 K
Colour rendering index CRI > 80
Module luminous flux 37140 lm
Luminaire luminous flux 29732 lm
Luminaire luminous efficiency 144,3 lm/W

99 481 K3

Module designation 12x LED-0847/830
Colour temperature 3000 K
Colour rendering index CRI > 80
Module luminous flux 36120 lm
Luminaire luminous flux 28914 lm
Luminaire luminous efficiency 140,4 lm/W

Service life of the LED

Ambient temperature $t_a = 25$ °C
– at > 500,000 h: L70 B50

max. ambient temperature $t_a = 45$ °C
– at 184,000 h: L70 B50

Ambient temperature $t_{a \max} = 50$ °C (85 %)
LED psu: 50,000 h
LED module: > 50,000 h (L70 B50)

BEGA Thermal Control® protects temperature-sensitive luminaire components by temporarily limiting the nominal power at high temperatures.

Inrush current

Inrush current: 12 A / 100 μ s
Maximum number of luminaires of this type per miniature circuit breaker:
B 10A: 9 luminaires
B 16A: 14 luminaires
C 10A: 9 luminaires
C 16A: 14 luminaires

Light technique

Luminaire data for the light planning program DIALux for outdoor lighting, street lighting and indoor lighting as well as luminaire data in EULUMDAT- and IES-format you will find on the BEGA web page www.bega.com.

Article No. 99 481

LED colour temperature optionally 4000 K or 3000 K
4000 K – Article number + **K4**
3000 K – Article number + **K3**

Colour graphite or silver
graphite – article number
silver – article number + **A**

Accessories

For this luminaire we recommend the following BEGA luminaire poles:

Tapered steel poles without visible welding seam · hot-dip galvanised and lacquered with access door and C-clamp
70 836 Pole with anch.section H 8000 mm
70 837 Pole with anch.section H 9000 mm

Tapered steel luminaire poles longitudinally seam-welded · hot-dip galvanised and lacquered with access door and C rail
71 006 Pole with anch.section H 8000 mm
71 008 Pole with anch.section H 9000 mm
71 010 Pole with anch.section H 10000 mm

For this luminaire additional accessories are available – see BEGA web page www.bega.com.

Light distribution