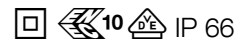


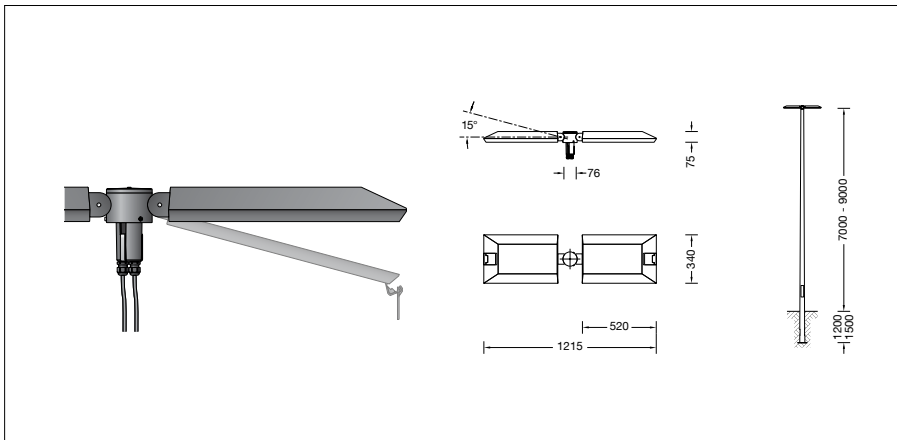
BEGA**99 479**

Pole top luminaire



Project · Reference number

Date



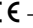


Product data sheet

Application

LED pole top luminaire with asymmetrical flat beam light distribution.
The asymmetrical and flat beam light distribution is suitable especially for the illumination of streets according to DIN EN 13201.
For mounting heights 7000 - 9000 mm.

Product description

Luminaire made of aluminium alloy, aluminium and stainless steel
BEGA Unidure® coating technology
Safety glass, antireflection-coated
Silicone gasket
Reflector made of pure anodised aluminium
Toolless closure
For pole top \varnothing 76 mm
Inner diameter of the pole min.62 / max.70 mm
Slip fitter insert depth 100 mm
2 x Connecting cable X05BQ-F 4 x 1[□]
Cable length 10 m
LED power supply unit
220-240 V \sim 0/50-60 Hz
DC 176-264 V
During DC operation the LED power is reduced to 50 %
DALI controllable
A basic isolation exists between power cable and control line
BEGA Thermal Control®
Temporary thermal regulation to protect temperature-sensitive components without switching off the luminaire
Safety class II 
Protection class IP 66
Dust-tight and protection against strong water jets
Impact strength IK08
Protection against mechanical impacts < 5 joule
 – Safety mark
 – Conformity mark
Horizontal wind catching area: 0.09 m²
Weight: 16.2 kg

Lamp

Module connected wattage 2x 62 W
Luminaire connected wattage 138 W
Rated temperature $t_a = 25$ °C
Ambient temperature $t_{a \max} = 50$ °C

99 479 K4

Module designation 8x LED-0847/840
Colour temperature 4000 K
Colour rendering index CRI > 80
Module luminous flux 24760 lm
Luminaire luminous flux 19770 lm
Luminaire luminous efficiency 143,3 lm/W

99 479 K3

Module designation 8x LED-0847/830
Colour temperature 3000 K
Colour rendering index CRI > 80
Module luminous flux 24080 lm
Luminaire luminous flux 19227 lm
Luminaire luminous efficiency 139,3 lm/W

Service life of the LED

Ambient temperature $t_a = 25$ °C
– at > 500,000 h: L70B50

max. ambient temperature $t_a = 50$ °C
– at 165,000 h: L70B50

Light technique

Luminaire data for the light planning program DIALux for outdoor lighting, street lighting and indoor lighting as well as luminaire data in EULUMDAT- and IES-format you will find on the BEGA web page www.bega.com.

Inrush current

Inrush current: 8 A / 100 μ s
Maximum number of luminaires of this type per miniature circuit breaker:
B 10A: 13 luminaires
B 16A: 22 luminaires
C 10A: 13 luminaires
C 16A: 22 luminaires

Article No. 99 479

LED colour temperature optionally 4000K or 3000K
4000 K – Article number + **K4**
3000 K – Article number + **K3**

Colour graphite or silver
graphite – article number
silver – article number + **A**

Accessories

For this luminaire we recommend the following BEGA luminaire poles:

Tapered aluminium poles, lacquered with access door and C-clamp
70 917 Pole with anch.section H 7000 mm
70 726 Pole with anch.section H 8000 mm

Tapered steel poles without visible welding seam · hot-dip galvanised and lacquered with access door and C-clamp
70 835 Pole with anch.section H 7000 mm
70 836 Pole with anch.section H 8000 mm
70 837 Pole with anch.section H 9000 mm

Tapered steel luminaire poles longitudinally seam-welded · hot-dip galvanised and lacquered with access door and C rail
71 004 Pole with anch.section H 7000 mm
71 006 Pole with anch.section H 8000 mm
71 008 Pole with anch.section H 9000 mm

For suitable connection boxes please see the instructions for use of the luminaire poles.

Light distribution