

**BEGA****99 475**

Floodlight



Project · Reference number


Date

## Product data sheet

### Application

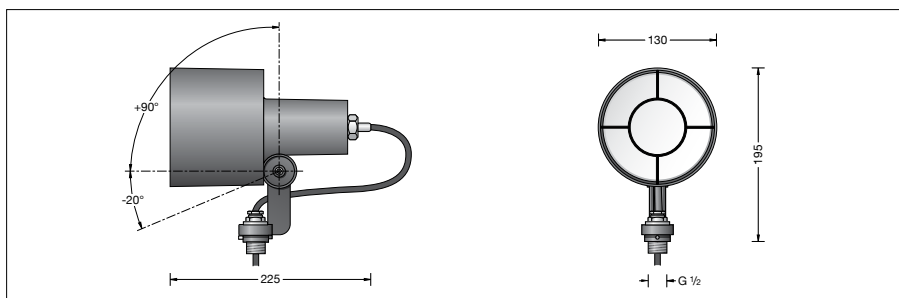
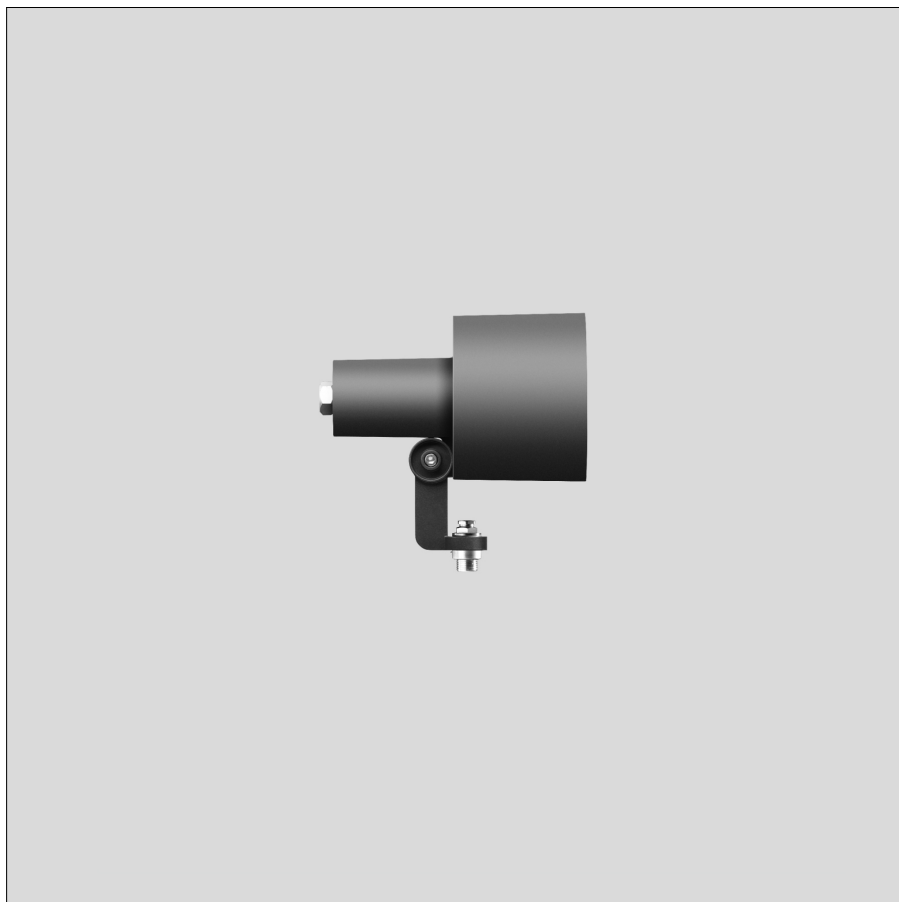
Floodlight with G $\frac{1}{2}$  mounting bush.  
The floodlight can be connected to any G $\frac{1}{2}$  female bush according to ISO 228.  
G $\frac{1}{2}$  female bush supplied by others.  
For lighting plants and small woodlands, for walls and advertising spaces and for many other lighting tasks.  
For interior and exterior application.

### Product description

Floodlight made of aluminium alloy and stainless steel  
Silicone gasket  
Rotation range of floodlight 350°  
Swivel range -20°/+90°  
Fixing bracket with G $\frac{1}{2}$  mounting bush  
Thread length: 14 mm  
Connecting cable H05RN-F 3 × 1<sup>□</sup>  
Cable length 1 m  
Lampholder E 27  
Safety class I  
Protection class IP 55  
Dust-tight and protected against water jets  
⊥ 0.5 m ∥ minimum distance to the illuminated surface  
 – Safety mark  
**CE** – Conformity mark  
Weight: 0.85 kg

### Light technique

Floodlight with rotationally symmetrical light distribution.  
Narrow beam when using spot type pressed glass reflector bulb giving point source beam over short distances.  
Half beam angle 12°  
PAR 38 · 60/80/120 W – Spot –  
Wide beam when using flood type pressed glass reflector bulb giving a wide beam over short distance.  
Half beam angle 30°  
PAR 38 · 60/80/120 W – Flood –



### Lamp

Pressed glass reflector bulb  
PAR 38 · E 27  
Osram: Spot 12° · Flood 30°  
PAR 38 60 W · E 27 600 lm  
PAR 38 80 W · E 27 800 lm  
PAR 38 120 W · E 27 1200 lm

Please note the lamp manufacturers' operating instructions.

### Accessories

**70 214** Pole cap for pole top  $\varnothing$  48 mm  
**70 248** Pole cap for pole top  $\varnothing$  60 mm  
**70 249** Pole cap for pole top  $\varnothing$  76 mm  
**70 229** Pole cap for pole top  $\varnothing$  82 mm  
**70 221** Mounting box for anchorage unit  
**70 245** Mounting box · rectangular  
**70 252** Wood screw  
**70 280** Tube clamp  
**70 283** Screw clamp  
**70 379** Outrigger arm  
**70 889** Lashing strap

For the accessories a separate instructions for use can be provided upon request.