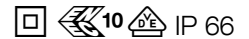


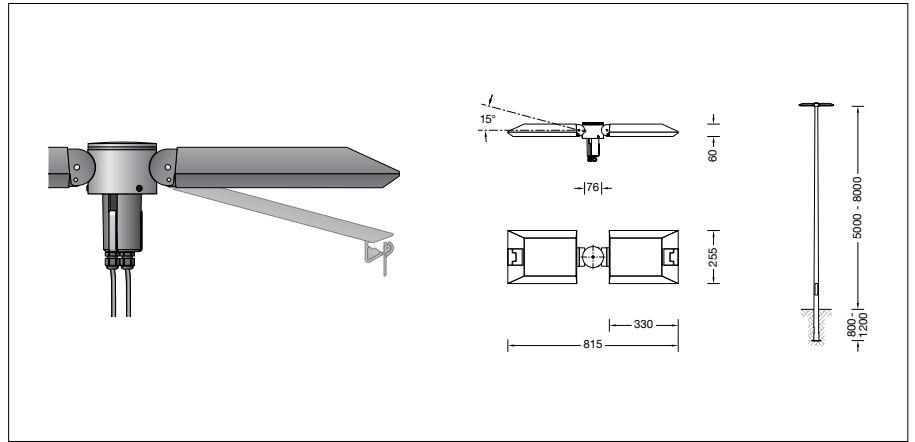
**BEGA****99 474**

Pole top luminaire



Project · Reference number

Date



## Product data sheet

**Application**

LED pole top luminaire with asymmetrical flat beam light distribution.  
The asymmetrical and flat beam light distribution is suitable especially for the illumination of streets according to DIN EN 13201.  
For mounting heights 5000 - 8000 mm.

**Product description**

Luminaire made of aluminium alloy, aluminium and stainless steel  
Safety glass, antireflection-coated  
Silicone gasket  
Reflector made of pure anodised aluminium  
Toolless closure  
Adjustable joint for beam direction 0° or 15°  
For pole top  $\varnothing$  76 mm  
Inner diameter of the pole min.62 / max.70 mm  
Slip fitter insert depth 100 mm  
2 x Connecting cable X05BQ-F 4 x 1  $\square$   
Cable length 8 m  
LED power supply unit  
220-240 V  $\sim$  0/50-60 Hz  
DC 176-264 V  
During DC operation the LED power is reduced to 50 %  
DALI controllable  
A basic isolation exists between power cable and control line  
Safety class II  $\square$   
Protection class IP 66  
Dust-tight and protection against strong water jets  
Impact strength IK08  
Protection against mechanical impacts < 5 joule  
 $\square$   $\square$   $\square$  – Safety mark  
**CE** – Conformity mark  
Horizontal wind catching area: 0.05 m<sup>2</sup>  
Weight: 9.0 kg

**Lamp**

Module connected wattage 2x 31 W  
Luminaire connected wattage 69 W  
Rated temperature  $t_a = 25$  °C  
Ambient temperature  $t_{a\max} = 50$  °C

**99 474 K4**

Module designation 4x LED-0847/840  
Colour temperature 4000 K  
Colour rendering index CRI > 80  
Module luminous flux 12380 lm  
Luminaire luminous flux 9764 lm  
Luminaire luminous efficiency 141,5 lm/W

**99 474 K3**

Module designation 4x LED-0847/830  
Colour temperature 3000 K  
Colour rendering index CRI > 80  
Module luminous flux 12040 lm  
Luminaire luminous flux 9496 lm  
Luminaire luminous efficiency 137,6 lm/W

**Service life of the LED**

Ambient temperature  $t_a = 25$  °C  
– at > 500,000 h: L70B50

max. ambient temperature  $t_a = 50$  °C  
– at 214,000 h: L70B50

**Light technique**

Luminaire data for the light planning program DIALux for outdoor lighting, street lighting and indoor lighting as well as luminaire data in EULUMDAT- and IES-format you will find on the BEGA web page [www.bega.com](http://www.bega.com).

**Inrush current**

Inrush current: 5 A / 100  $\mu$ s  
Maximum number of luminaires of this type per miniature circuit breaker:  
B10A: 27 luminaires  
B16A: 44 luminaires  
C10A: 27 luminaires  
C16A: 44 luminaires

**Article No. 99 474**

LED colour temperature optionally 4000K or 3000K  
4000 K – Article number + **K4**  
3000 K – Article number + **K3**

Colour graphite or silver  
graphite – article number  
silver – article number + **A**

**Accessories**

For this luminaire we recommend the following BEGA luminaire poles:  
Tapered aluminium poles, lacquered with access door and C-clamp  
**70 915** Pole with anch.section H 5000 mm  
**70 916** Pole with anch.section H 6000 mm  
**70 917** Pole with anch.section H 7000 mm  
**70 726** Pole with anch.section H 8000 mm

Tapered steel poles without visible welding seam - hot-dip galvanised and lacquered with access door and C-clamp  
**70 886** Pole with anch.section H 5000 mm  
**70 834** Pole with anch.section H 6000 mm  
**70 835** Pole with anch.section H 7000 mm  
**70 836** Pole with anch.section H 8000 mm

Cylindrically stepped aluminium poles, lacquered with door und C rail  
**70 903** Pole with anch.section H 5000 mm  
**70 905** Pole with anch.section H 6000 mm

Cylindrically stepped aluminium poles, lacquered with access door and C-clamp  
**70 902** Pole with baseplate H 5000 mm  
**70 904** Pole with baseplate H 6000 mm

For suitable connection boxes please see the instructions for use of the luminaire poles.

**Light distribution**