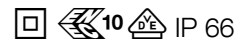


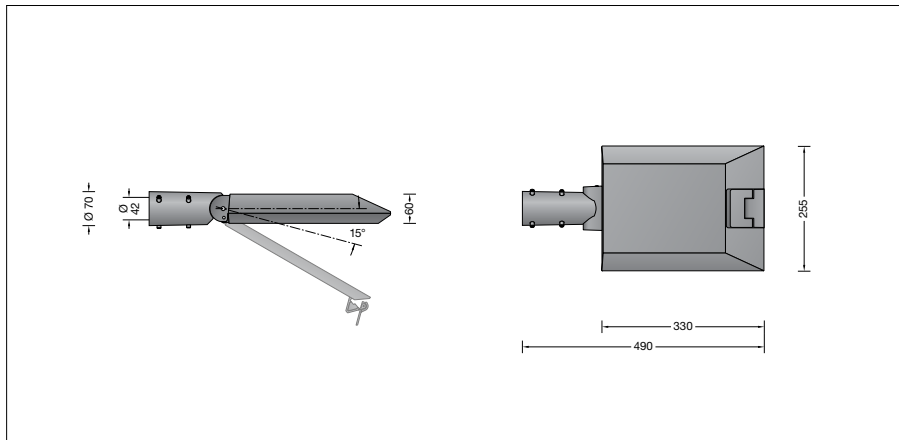
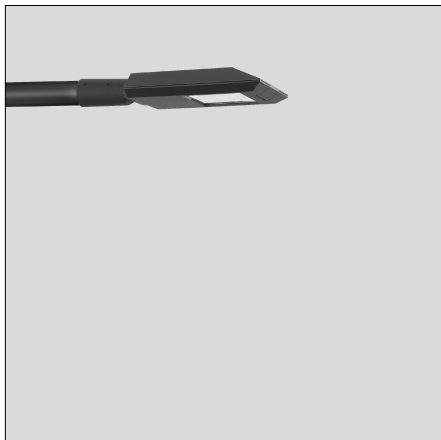
BEGA**99 467**

Pole top luminaire



Project · Reference number

Date



Product data sheet

Application

LED side-mounted pole luminaire with asymmetrical flat beam light distribution for bracket poles.

The asymmetrical and flat beam light distribution is suitable especially for the illumination of streets according to DIN EN 13201.

Product description

Luminaire made of aluminium alloy, aluminium and stainless steel
 Safety glass, antireflection-coated
 Silicone gasket
 Reflector made of pure anodised aluminium
 Toolless closure
 Adjustable joint for beam direction 0° or 15°
 For connecting nozzle \varnothing 42 mm
 Slip fitter insert depth 110 mm
 Connecting cable X05BQ-F 4 x 1[□]
 Cable length 7,5 m
 LED power supply unit
 220-240 V \sim 0/50-60 Hz
 DC 176-276 V
 DALI controllable
 A basic isolation exists between power cable and control line
 BEGA Thermal Control®
 Temporary thermal regulation to protect temperature-sensitive components without switching off the luminaire
 Safety class II
 Protection class IP 66
 Dust-tight and protection against strong water jets
 Impact strength IK08
 Protection against mechanical impacts < 5 joule
 – Safety mark
 – Conformity mark
 Horizontal wind catching area: 0.03 m²
 Weight: 4.6 kg

Lamp

Module connected wattage 11.6 W
 Luminaire connected wattage 14 W
 Rated temperature $t_a = 25$ °C
 Ambient temperature $t_{a,max} = 55$ °C

99 467 K4

Module designation 2x LED-0410/840
 Colour temperature 4000 K
 Colour rendering index CRI > 80
 Module luminous flux 2320 lm
 Luminaire luminous flux 1855 lm
 Luminaire luminous efficiency 132,5 lm/W

99 467 K3

Module designation 2x LED-0410/830
 Colour temperature 3000 K
 Colour rendering index CRI > 80
 Module luminous flux 2250 lm
 Luminaire luminous flux 1799 lm
 Luminaire luminous efficiency 128,5 lm/W

Service life · Ambient temperature

Rated temperature $t_a = 25$ °C
 LED psu: > 50,000 h
 LED module: > 200,000 h (L.80 B50)
 100,000 h (L.90 B50)

Ambient temperature $t_{a,max} = 55$ °C (100 %)

LED psu: 50,000 h
 LED module: 179,000 h (L.80 B50)
 100,000 h (L.90 B50)

Light technique

Luminaire data for the light planning program DIALux for outdoor lighting, street lighting and indoor lighting as well as luminaire data in EULUMDAT- and IES-format you will find on the BEGA web page www.bega.com.

Inrush current

Inrush current: 12 A / 24.2 μ s
 Maximum number of luminaires of this type per miniature circuit breaker:
 B 10A: 50 luminaires
 B 16A: 50 luminaires
 C 10A: 50 luminaires
 C 16A: 50 luminaires

Article No. 99 467

LED colour temperature optionally 4000 K or 3000 K
 4000 K – Article number + **K4**
 3000 K – Article number + **K3**

Colour graphite or silver
 graphite – article number
 silver – article number + **A**

Accessories

71 143 Connection box IP 54 with power reduction for LED luminaires with DALI interface
 Operating mode 1: Power reduction via switched control phase
 Operating mode 2: Power reduction by way of virtual midnight calculation
 2 Neozed 6 A fuses
 2 inputs for 5 x 16 cable
 2 outputs for 5 x 2.5 cable
 A separate instructions for use can be provided upon request.

Light distribution

