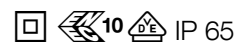


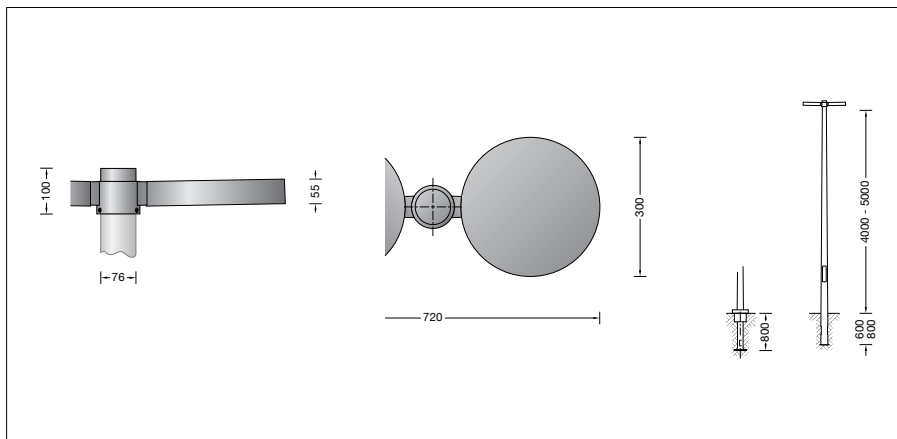
BEGA**99 462**

Pole top luminaire



Project · Reference number

Date



Product data sheet

Application

LED pole top luminaire with asymmetrical flat beam light distribution.
For mounting heights 4000 - 5000 mm.

Product description

Luminaire made of aluminium alloy, aluminium and stainless steel
BEGA Unidure® coating technology
Safety glass with optical structure
Silicone gasket
Reflector made of pure anodised aluminium
For pole top \varnothing 76 mm
Slip fitter insert depth 50 mm
2 x Connecting cable ÖLFLEX 4 x 1⁰
Cable length 5 m
LED power supply unit
220-240 V \sim 0/50-60 Hz
DC 176-276 V
DALI controllable
A basic isolation exists between power cable and control line
BEGA Thermal Control®
Temporary thermal regulation to protect temperature-sensitive components without switching off the luminaire
Safety class II
Protection class IP 65
Dust-tight and protection against water jets
Impact strength IK08
Protection against mechanical impacts < 5 joule
 - Safety mark
CE - Conformity mark
Horizontal wind catching area: 0.05 m²
Weight: 7.2 kg

Lamp

Module connected wattage 2x 16 W
Luminaire connected wattage 37 W
Rated temperature $t_a = 25$ °C
Ambient temperature $t_{a,max} = 50$ °C

99 462 K4

Module designation LED-0298/840, LED-0302/840
Colour temperature 4000 K
Colour rendering index CRI > 80
Module luminous flux 4520 lm
Luminaire luminous flux 3712 lm
Luminaire luminous efficiency 100,3 lm/W

99 462 K3

Module designation LED-0298/830, LED-0302/830
Colour temperature 3000 K
Colour rendering index CRI > 80
Module luminous flux 4520 lm
Luminaire luminous flux 3712 lm
Luminaire luminous efficiency 100,3 lm/W

Service life · Ambient temperature

Rated temperature $t_a = 25$ °C
LED psu: > 50,000 h
LED module: > 200,000 h (L 80 B 50)
100,000 h (L 90 B 50)

Ambient temperature $t_{a,max} = 50$ °C (100 %)

LED psu: 50,000 h
LED module: 53,000 h (L 80 B 50)
80,000 h (L 70 B 50)

Light technique

Luminaire data for the light planning program DIALux for outdoor lighting, street lighting and indoor lighting as well as luminaire data in EULUMDAT- and IES-format you will find on the BEGA web page www.bega.com.

Inrush current

Inrush current: 12 A / 24.2 μ s
Maximum number of luminaires of this type per miniature circuit breaker:
B 10A: 50 luminaires
B 16A: 50 luminaires
C 10A: 50 luminaires
C 16A: 50 luminaires

Article No. 99 462

LED colour temperature optionally 4000 K or 3000 K
4000 K – Article number + **K4**
3000 K – Article number + **K3**

Colour graphite or silver
graphite – article number
silver – article number + **A**

Accessories

For this luminaire we recommend the following BEGA luminaire poles:

Tapered aluminium poles, lacquered with access door and C-clamp
70 914 Pole with anch.section H 4000 mm
70 725 Pole with anch.section H 4500 mm
70 915 Pole with anch.section H 5000 mm
70 791 Pole with baseplate H 4000 mm
70 792 Pole with baseplate H 4500 mm
70 794 Pole with baseplate H 5000 mm

Cylindrically stepped aluminium poles, lacquered with door und C rail
70 901 Pole with anch.section H 4000 mm
70 903 Pole with anch.section H 5000 mm
70 905 Pole with anch.section H 6000 mm
70 900 Pole with baseplate H 4000 mm
70 902 Pole with baseplate H 5000 mm

For suitable connection boxes please see the instructions for use of the luminaire poles.

Light distribution