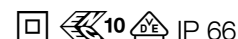


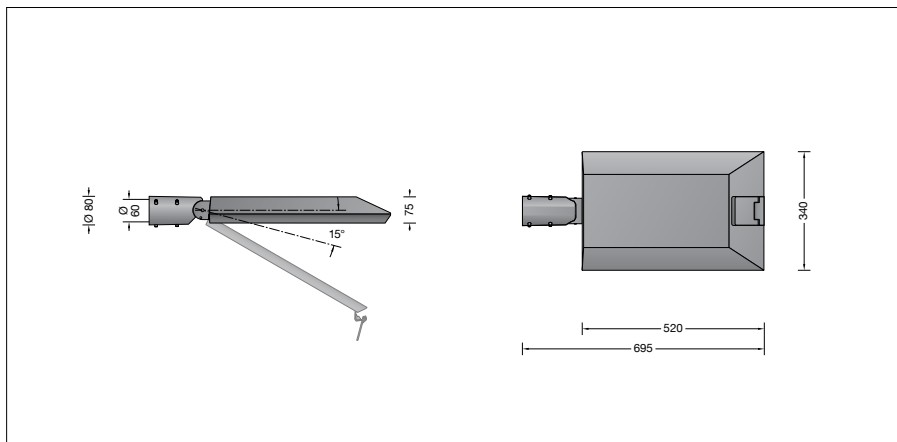
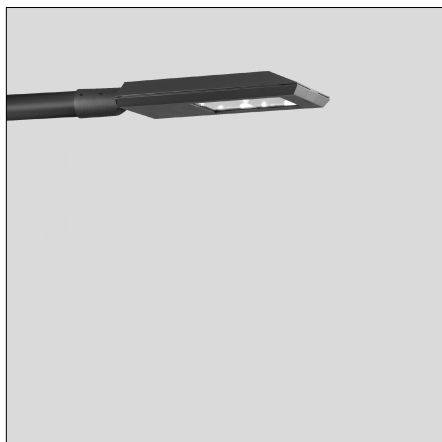
**BEGA****99 454**

Side-mounted pole luminaire



Project · Reference number

Date



## Product data sheet

### Application

LED side-mounted pole luminaire with asymmetrical flat beam light distribution for bracket poles.

The asymmetrical and flat beam light distribution is suitable especially for the illumination of streets according to DIN EN 13201.

### Product description

Luminaire made of aluminium alloy, aluminium and stainless steel  
 Safety glass, antireflection-coated  
 Silicone gasket  
 Reflector made of pure anodised aluminium  
 Toolless closure  
 Adjustable joint for beam direction 0° or 15°  
 For connecting nozzle  $\varnothing$  60 mm  
 Slip fitter insert depth 110 mm  
 Connecting cable X05BQ-F 4 x 1<sup>□</sup>  
 Cable length 11 m  
 LED power supply unit  
 220-240 V  $\sim$  0/50-60 Hz  
 DC 176-264 V  
 During DC operation the LED power is reduced to 50 %  
 DALI controllable  
 A basic isolation exists between power cable and control line  
 Safety class II   
 Protection class IP 66  
 Dust-tight and protection against strong water jets  
 Impact strength IK08  
 Protection against mechanical impacts < 5 joule  
 – Safety mark  
 – Conformity mark  
 Horizontal wind catching area: 0.07 m<sup>2</sup>  
 Weight: 8.7 kg

### Lamp

Module connected wattage 46.4 W  
 Luminaire connected wattage 52.4 W  
 Rated temperature  $t_a = 25\text{ }^\circ\text{C}$   
 Ambient temperature  $t_{a,max} = 50\text{ }^\circ\text{C}$

### 99 454 K4

Module designation 4x LED-0848/840  
 Colour temperature 4000 K  
 Colour rendering index CRI > 80  
 Module luminous flux 9280 lm  
 Luminaire luminous flux 7770 lm  
 Luminaire luminous efficiency 148,3 lm/W

### 99 454 K3

Module designation 4x LED-0848/830  
 Colour temperature 3000 K  
 Colour rendering index CRI > 80  
 Module luminous flux 9020 lm  
 Luminaire luminous flux 7553 lm  
 Luminaire luminous efficiency 144,1 lm/W

### Service life of the LED

Ambient temperature  $t_a = 25\text{ }^\circ\text{C}$   
 – at > 500,000h: L70B50

max. ambient temperature  $t_a = 50\text{ }^\circ\text{C}$   
 – at 260,000h: L70B50

### Inrush current

Inrush current: 8 A / 100  $\mu$ s  
 Maximum number of luminaires of this type per miniature circuit breaker:  
 B 10A: 13 luminaires  
 B 16A: 22 luminaires  
 C 10A: 13 luminaires  
 C 16A: 22 luminaires

### Light technique

Luminaire data for the light planning program DIALux for outdoor lighting, street lighting and indoor lighting as well as luminaire data in EULUMDAT- and IES-format you will find on the BEGA web page [www.bega.com](http://www.bega.com).

### Article No. 99 454

LED colour temperature optionally 4000 K or 3000 K  
 4000 K – Article number + **K4**  
 3000 K – Article number + **K3**

Colour graphite or silver  
 graphite – article number  
 silver – article number + **A**

### Light distribution

