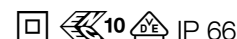


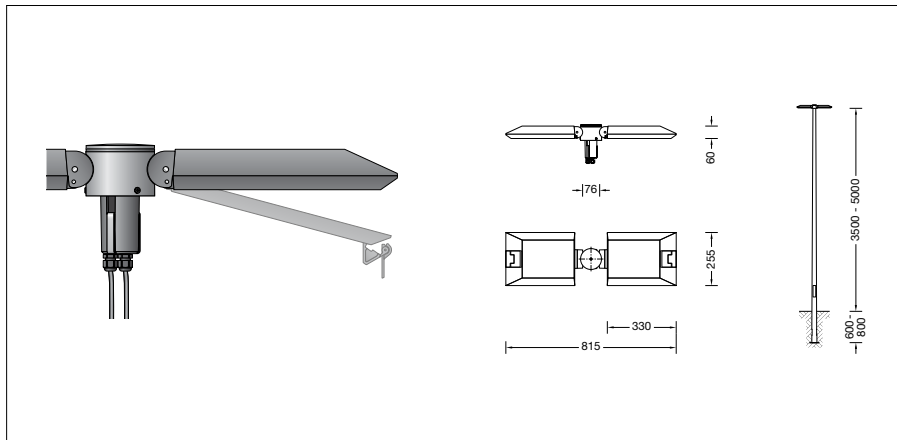
BEGA**99 447**

Pole top luminaire



Project · Reference number

Date



Product data sheet

Application

LED pole top luminaire with asymmetrical flat beam light distribution.
The asymmetrical and flat beam light distribution is suitable especially for the illumination of streets according to DIN EN 13201.
For mounting heights 3500 - 5000 mm.

Product description

Luminaire made of aluminium alloy, aluminium and stainless steel
Safety glass, antireflection-coated
Silicone gasket
Reflector made of pure anodised aluminium
Toolless closure
Adjustable joint for beam direction 0° or 15°
For pole top ø 76 mm
Inner diameter of the pole min.62 / max.70 mm
Slip fitter insert depth 90 mm
2 x Connecting cable X05BQ-F 4 x 1[□]
Cable length 6 m
LED power supply unit
220-240 V ~ 0/50-60 Hz
DC 176-276 V
DALI controllable
A basic isolation exists between power cable and control line
BEGA Thermal Control®
Temporary thermal regulation to protect temperature-sensitive components without switching off the luminaire
Safety class II
Protection class IP 66
Dust-tight and protection against strong water jets
Impact strength IK08
Protection against mechanical impacts < 5 joule
 – Safety mark
 – Conformity mark
Horizontal wind catching area: 0.05 m²
Weight: 8.7 kg

Lamp

Module connected wattage 2x 11.6 W
Luminaire connected wattage 28 W
Rated temperature $t_a = 25\text{ °C}$
Ambient temperature $t_{a\text{ max}} = 55\text{ °C}$

99 447 K4

Module designation 4x LED-0410/840
Colour temperature 4000 K
Colour rendering index CRI > 80
Module luminous flux 4640 lm
Luminaire luminous flux 3710 lm
Luminaire luminous efficiency 132,5 lm/W

99 447 K3

Module designation 4x LED-0410/830
Colour temperature 3000 K
Colour rendering index CRI > 80
Module luminous flux 4500 lm
Luminaire luminous flux 3598 lm
Luminaire luminous efficiency 128,5 lm/W

Service life · Ambient temperature

Rated temperature $t_a = 25\text{ °C}$
LED psu: > 50,000 h
LED module: > 200,000 h (L 80 B 50)
100,000 h (L 90 B 50)

Ambient temperature $t_{a\text{ max}} = 55\text{ °C}$ (100 %)

LED psu: 50,000 h
LED module: 179,000 h (L 80 B 50)
100,000 h (L 90 B 50)

Light technique

Luminaire data for the light planning program
DIALux for outdoor lighting, street lighting and indoor lighting as well as luminaire data in EULUMDAT- and IES-format you will find on the BEGA web page www.bega.com.

Inrush current

Inrush current: 12 A / 24.2 μs
Maximum number of luminaires of this type per miniature circuit breaker:
B 10A: 50 luminaires
B 16A: 50 luminaires
C 10A: 50 luminaires
C 16A: 50 luminaires

Article No. 99 447

LED colour temperature optionally 4000K or 3000K
4000 K – Article number + **K4**
3000 K – Article number + **K3**

Colour graphite or silver
graphite – article number
silver – article number + **A**

Accessories

For this luminaire we recommend the following BEGA luminaire poles:
Tapered aluminium poles, lacquered with access door and C-clamp
70 913 Pole with anch.section H 3500 mm
70 914 Pole with anch.section H 4000 mm
70 725 Pole with anch.section H 4500 mm
70 915 Pole with anch.section H 5000 mm
70 789 Pole with baseplate H 3500 mm
70 791 Pole with baseplate H 4000 mm
70 792 Pole with baseplate H 4500 mm
70 794 Pole with baseplate H 5000 mm

Cylindrically stepped aluminium poles, lacquered with door und C rail
70 901 Pole with anch.section H 4000 mm
70 903 Pole with anch.section H 5000 mm

70 900 Pole with baseplate H 4000 mm
70 902 Pole with baseplate H 5000 mm

For suitable connection boxes please see the instructions for use of the luminaire poles.

Light distribution