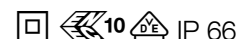


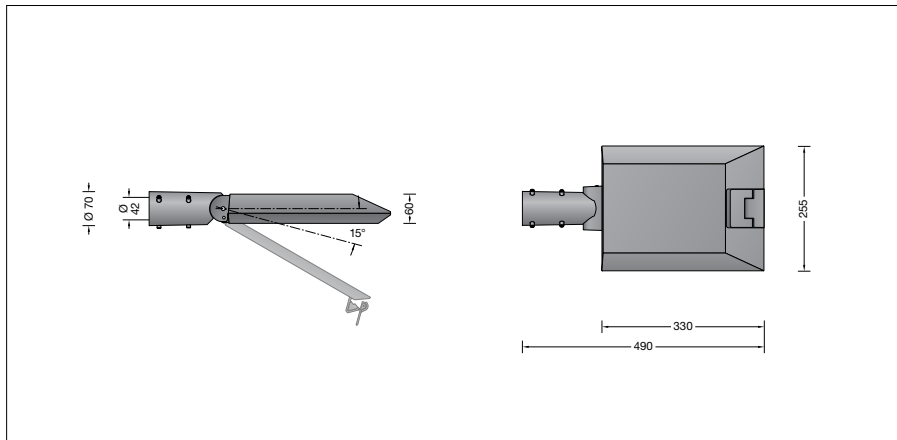
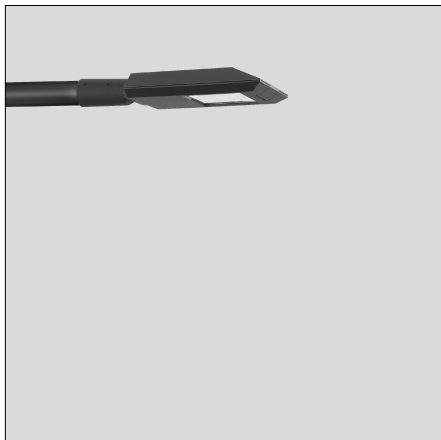
BEGA**99 433**

Side-mounted pole luminaire




Project · Reference number

Date



Product data sheet

Product description

Luminaire made of aluminium alloy,
aluminium and stainless steel
BEGA Unidure® coating technology
Safety glass, antireflection-coated
Silicone gasket
Reflector made of pure anodised aluminium
Toolless closure
Adjustable joint for beam direction 0° or 15°
For connecting nozzle \varnothing 42 mm
Slip fitter insert depth 110 mm
Connecting cable X05BQ-F 4 x 1[□]
Cable length 10 m
LED power supply unit
220-240 V \sim 0/50-60 Hz
DC 176-264 V
DALI controllable
A basic isolation exists between power cable
and control line
BEGA Thermal Control®
Temporary thermal regulation to protect
temperature-sensitive components without
switching off the luminaire
Safety class II \square
Protection class IP 66
Dust-tight and protection against strong water
jets
Impact strength IK08
Protection against mechanical
impacts < 5 joule
 – Safety mark
 – Conformity mark
Weight: 5.0 kg

Application

LED side-mounted pole luminaire with
asymmetrical flat beam light distribution for
bracket poles.
The asymmetrical and flat beam light
distribution is suitable especially for
the illumination of streets according to
DIN EN 13201.

Lamp

Module connected wattage 31 W
Luminaire connected wattage 34.5 W
Rated temperature $t_a = 25$ °C
Ambient temperature $t_{a\max} = 55$ °C

99 433 K4

Module designation 2x LED-0847/840
Colour temperature 4000 K
Colour rendering index CRI > 80
Module luminous flux 6190 lm
Luminaire luminous flux 4882 lm
Luminaire luminous efficiency 141,5 lm/W

99 433 K3

Module designation 2x LED-0847/830
Colour temperature 3000 K
Colour rendering index CRI > 80
Module luminous flux 6020 lm
Luminaire luminous flux 4748 lm
Luminaire luminous efficiency 137,6 lm/W

Service life · Ambient temperature

Rated temperature $t_a = 25$ °C
LED psu: > 50,000 h
LED module: > 200,000 h (L80B50)
100,000 h (L90B50)

Ambient temperature $t_{a\max} = 55$ °C (100 %)

LED psu: 50,000 h
LED module: 97,000 h (L80B50)
100,000 h (L70B50)

Inrush current

Inrush current: 5 A / 100 μ s
Maximum number of luminaires of this
type per miniature circuit breaker:
B 10A: 35 luminaires
B 16A: 56 luminaires
C 10A: 35 luminaires
C 16A: 56 luminaires

Light technique

Luminaire data for the light planning program
DIALux for outdoor lighting, street lighting and
indoor lighting as well as luminaire data in
EULUMDAT- and IES-format you will find on the
BEGA web page www.bega.com.

Article No. 99 433

LED colour temperature optionally 4000 K
or 3000 K
4000 K – Article number + **K4**
3000 K – Article number + **K3**
Colour graphite or silver
graphite – article number
silver – article number + **A**

Accessories

71 143 Connection box IP 54
with power reduction for LED luminaires
with DALI interface
Operating mode 1: Power reduction via
switched control phase
Operating mode 2: Power reduction by way of
virtual midnight calculation
2 Neozed 6 A fuses
2 inputs for 5 x 16 cable
2 outputs for 5 x 2.5 cable

A separate instructions for use can be provided
upon request.

Light distribution

