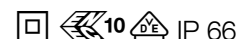


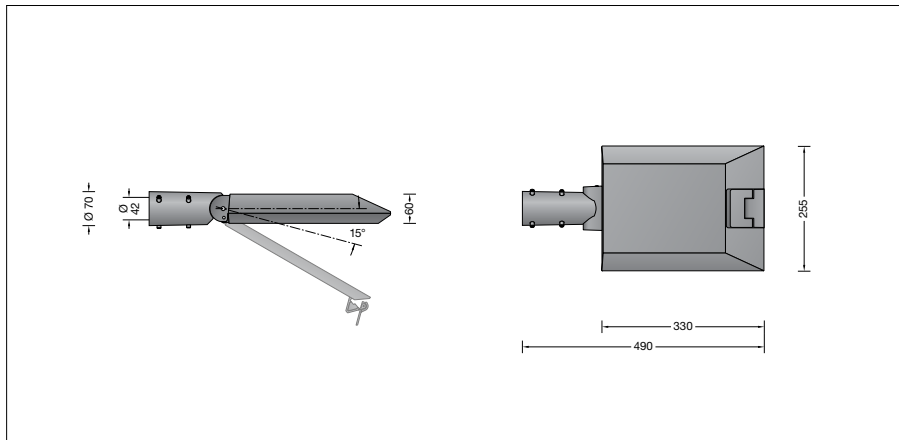
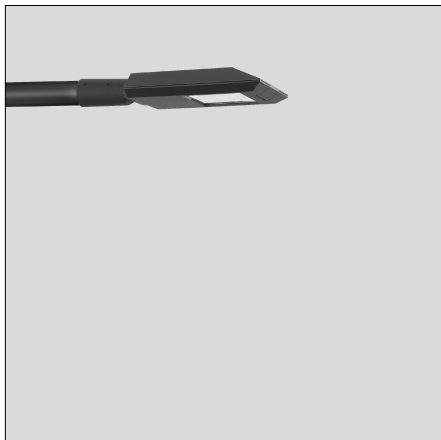
**BEGA****99 426**

Side-mounted pole luminaire



Project · Reference number

Date



## Product data sheet

**Application**

LED side-mounted pole luminaire with asymmetrical flat beam light distribution for bracket poles.

The asymmetrical and flat beam light distribution is suitable especially for the illumination of streets according to DIN EN 13201.

**Product description**

Luminaire made of aluminium alloy, aluminium and stainless steel  
 Safety glass, antireflection-coated  
 Silicone gasket  
 Reflector made of pure anodised aluminium  
 Toolless closure  
 Adjustable joint for beam direction 0° or 15°  
 For connecting nozzle  $\varnothing$  42 mm  
 Slip fitter insert depth 110 mm  
 Connecting cable X05BQ-F 4 x 1<sup>□</sup>  
 Cable length 10 m  
 LED power supply unit  
 220-240 V  $\sim$  0/50-60 Hz  
 DC 176-276 V  
 DALI controllable  
 A basic isolation exists between power cable and control line  
 BEGA Thermal Control®  
 Temporary thermal regulation to protect temperature-sensitive components without switching off the luminaire  
 Safety class II   
 Protection class IP 66  
 Dust-tight and protection against strong water jets  
 Impact strength IK08  
 Protection against mechanical impacts < 5 joule  
 – Safety mark  
 – Conformity mark  
 Horizontal wind catching area: 0.03 m<sup>2</sup>  
 Weight: 5.0 kg

**Lamp**

Module connected wattage 15.4 W  
 Luminaire connected wattage 17.6 W  
 Rated temperature  $t_a = 25$  °C  
 Ambient temperature  $t_{a,max} = 50$  °C

**99 426 K4**

Module designation 2x LED-0285/840  
 Colour temperature 4000 K  
 Colour rendering index CRI > 80  
 Module luminous flux 3090 lm  
 Luminaire luminous flux 2474 lm  
 Luminaire luminous efficiency 140,6 lm/W

**99 426 K3**

Module designation 2x LED-0285/830  
 Colour temperature 3000 K  
 Colour rendering index CRI > 80  
 Module luminous flux 3000 lm  
 Luminaire luminous flux 2402 lm  
 Luminaire luminous efficiency 136,5 lm/W

**Service life · Ambient temperature**

Rated temperature  $t_a = 25$  °C  
 LED psu: > 50,000 h  
 LED module: > 200,000 h (L 80 B 50)  
 100,000 h (L 90 B 50)

Ambient temperature  $t_{a,max} = 50$  °C (100 %)

LED psu: 50,000 h  
 LED module: > 200,000 h (L 80 B 50)  
 100,000 h (L 90 B 50)

**Light technique**

Luminaire data for the light planning program DIALux for outdoor lighting, street lighting and indoor lighting as well as luminaire data in EULUMDAT- and IES-format you will find on the BEGA web page [www.bega.com](http://www.bega.com).

**Inrush current**

Inrush current: 12 A / 24.2  $\mu$ s  
 Maximum number of luminaires of this type per miniature circuit breaker:  
 B 10A: 50 luminaires  
 B 16A: 50 luminaires  
 C 10A: 50 luminaires  
 C 16A: 50 luminaires

**Article No. 99 426**

LED colour temperature optionally 4000 K or 3000 K  
 4000 K – Article number + **K4**  
 3000 K – Article number + **K3**

Colour graphite or silver  
 graphite – article number  
 silver – article number + **A**

**Accessories**

**71 143** Connection box IP 54 with power reduction for LED luminaires with DALI interface  
 Operating mode 1: Power reduction via switched control phase  
 Operating mode 2: Power reduction by way of virtual midnight calculation  
 2 Neozed 6 A fuses  
 2 inputs for 5 x 16 cable  
 2 outputs for 5 x 2.5 cable

**Light distribution**