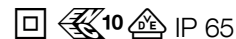


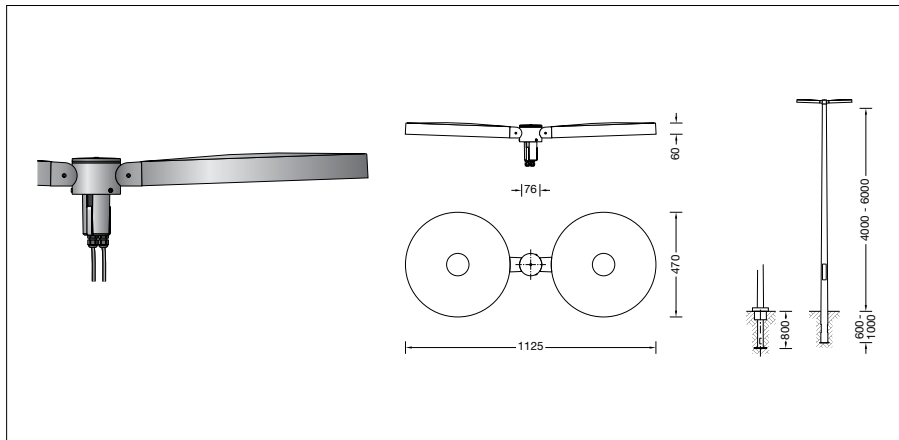
**BEGA****99 408**

Pole top luminaire



Project · Reference number

Date



## Product data sheet

**Application**

LED pole top luminaire with asymmetrical flat beam light distribution.  
For mounting heights 4000 - 6000 mm.

**Product description**

Luminaire made of aluminium alloy, aluminium and stainless steel  
BEGA Unidure® coating technology  
Safety glass with optical structure  
Silicone gasket  
Reflector made of pure anodised aluminium  
Adjustable joint for beam direction 0° or 15°  
For pole top ø 76 mm  
Inner diameter of the pole min.62 / max.70 mm  
Slip fitter insert depth 90 mm  
2 x Connecting cable X05BQ-F 4 x 1 □  
Cable length 6 m  
LED power supply unit  
220-240 V ~ 0/50-60 Hz  
DC 176-276 V  
DALI controllable  
A basic isolation exists between power cable and control line  
BEGA Thermal Control®  
Temporary thermal regulation to protect temperature-sensitive components without switching off the luminaire  
Safety class II □  
Protection class IP 65  
Dust-tight and protection against water jets  
Impact strength IK08  
Protection against mechanical impacts < 5 joule  
☑ – Safety mark  
CE – Conformity mark  
Horizontal wind catching area: 0.07 m²  
Weight: 14.9 kg

**Lamp**

Module connected wattage 2x 23.2 W  
Luminaire connected wattage 52.8 W  
Rated temperature  $t_a = 25\text{ °C}$   
Ambient temperature  $t_{a,max} = 45\text{ °C}$

**99 408 K4**

Module designation 2x LED-0469/840 + 2x LED-0472/840  
Colour temperature 4000 K  
Colour rendering index CRI > 80  
Module luminous flux 9280 lm  
Luminaire luminous flux 6757 lm  
Luminaire luminous efficiency 128 lm/W

**99 408 K3**

Module designation 2x LED-0469/830 + 2x LED-0472/830  
Colour temperature 3000 K  
Colour rendering index CRI > 80  
Module luminous flux 9000 lm  
Luminaire luminous flux 6552 lm  
Luminaire luminous efficiency 124,1 lm/W

**Service life · Ambient temperature**

Rated temperature  $t_a = 25\text{ °C}$   
LED psu: > 50,000 h  
LED module: > 200,000 h (L.80 B50)  
100,000 h (L.90 B50)

Ambient temperature  $t_{a,max} = 45\text{ °C}$  (100 %)

LED psu: 50,000 h  
LED module: 125,000 h (L.80 B50)

**Light technique**

Luminaire data for the light planning program DIALux for outdoor lighting, street lighting and indoor lighting as well as luminaire data in EULUMDAT- and IES-format you will find on the BEGA web page [www.bega.com](http://www.bega.com).

**Inrush current**

Inrush current: 12 A / 24.2 μs  
Maximum number of luminaires of this type per miniature circuit breaker:  
B 10A: 50 luminaires  
B 16A: 50 luminaires  
C 10A: 50 luminaires  
C 16A: 50 luminaires

**Article No. 99 408**

LED colour temperature optionally 4000 K or 3000 K

4000 K – Article number + **K4**  
3000 K – Article number + **K3**

Colour graphite or silver  
graphite – article number  
silver – article number + **A**

**Accessories**

For this luminaire we recommend the following BEGA luminaire poles:

Tapered aluminium poles, lacquered with access door and C-clamp  
**70914** Pole with anch.section H 4000 mm  
**70725** Pole with anch.section H 4500 mm  
**70915** Pole with anch.section H 5000 mm  
**70916** Pole with anch.section H 6000 mm  
**70791** Pole with baseplate H 4000 mm  
**70792** Pole with baseplate H 4500 mm  
**70794** Pole with baseplate H 5000 mm

Cylindrically stepped aluminium poles, lacquered with door und C rail  
**70901** Pole with anch.section H 4000 mm  
**70903** Pole with anch.section H 5000 mm  
**70905** Pole with anch.section H 6000 mm  
**70900** Pole with baseplate H 4000 mm  
**70902** Pole with baseplate H 5000 mm  
**70904** Pole with baseplate H 6000 mm

For suitable connection boxes please see the instructions for use of the luminaire poles.

**Light distribution**