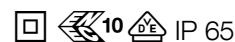


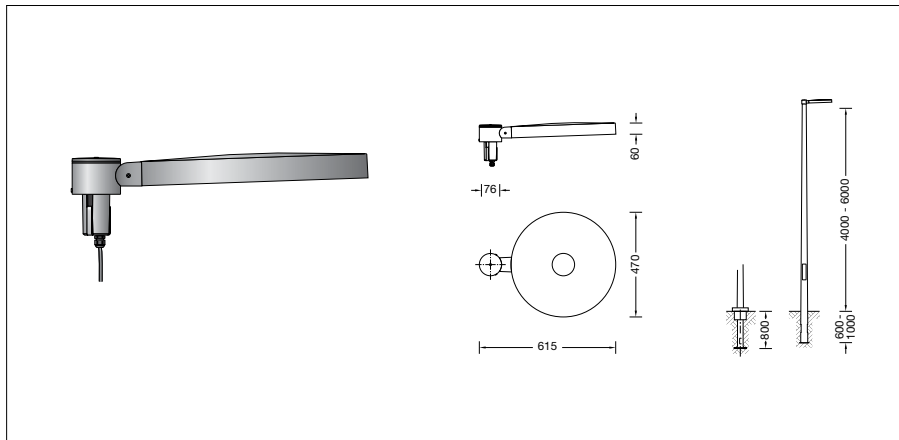
BEGA**99 407**

Pole top luminaire



Project · Reference number

Date



Product data sheet

Application

LED pole top luminaire with asymmetrical flat beam light distribution.
For mounting heights 4000 - 6000 mm.

Product description

Luminaire made of aluminium alloy, aluminium and stainless steel
Safety glass with optical structure
Silicone gasket
Reflector made of pure anodised aluminium
Adjustable joint for beam direction 0° or 15°
For pole top \varnothing 76 mm
Inner diameter of the pole min.62 / max.70 mm
Slip fitter insert depth 90 mm
Connecting cable X05BQ-F 4 x 1[□]
Cable length 6 m
LED power supply unit
220-240 V \sim 0/50-60 Hz
DC 176-276 V
DALI controllable
A basic isolation exists between power cable and control line
Safety class II
Protection class IP 65
Dust-tight and protection against water jets
Impact strength IK08
Protection against mechanical impacts < 5 joule
 - Safety mark
 - Conformity mark
Horizontal wind catching area: 0.07 m²
Weight: 9.1 kg

Lamp

Module connected wattage 23.2 W
Luminaire connected wattage 26.4 W
Rated temperature $t_a = 25$ °C
Ambient temperature $t_{a \max} = 45$ °C

On request we can offer you modifications for environments with higher temperatures as a customized product.

99 407 K4

Module designation LED-0469/840 + LED-0472/840
Colour temperature 4000 K
Colour rendering index CRI > 80
Module luminous flux 4640 lm
Luminaire luminous flux 3378 lm
Luminaire luminous efficiency 128 lm/W

99 407 K3

Module designation LED-0469/830 + LED-0472/830
Colour temperature 3000 K
Colour rendering index CRI > 80
Module luminous flux 4500 lm
Luminaire luminous flux 3276 lm
Luminaire luminous efficiency 124,1 lm/W

Service life of the LED

Ambient temperature $t_a = 25$ °C
- at > 500,000h: L70B50

max. ambient temperature $t_a = 45$ °C
- at 183,000h: L70B50

Light technique

Luminaire data for the light planning program DIALux for outdoor lighting, street lighting and indoor lighting as well as luminaire data in EULUMDAT- and IES-format you will find on the BEGA web page www.bega.com.

Inrush current

Inrush current: 12 A / 24.2 μ s
Maximum number of luminaires of this type per miniature circuit breaker:
B 10A: 50 luminaires
B 16A: 50 luminaires
C 10A: 50 luminaires
C 16A: 50 luminaires

Article No. 99 407

LED colour temperature optionally 4000K or 3000K
4000 K – Article number + **K4**
3000 K – Article number + **K3**

Colour graphite or silver
graphite – article number
silver – article number + **A**

Accessories

For this luminaire we recommend the following BEGA luminaire poles:

Tapered aluminium poles, lacquered with access door and C-clamp
70 914 Pole with anch.section H 4000 mm
70 725 Pole with anch.section H 4500 mm
70 915 Pole with anch.section H 5000 mm
70 916 Pole with anch.section H 6000 mm
70 791 Pole with baseplate H 4000 mm
70 792 Pole with baseplate H 4500 mm
70 794 Pole with baseplate H 5000 mm

Cylindrically stepped aluminium poles, lacquered with door und C rail
70 901 Pole with anch.section H 4000 mm
70 903 Pole with anch.section H 5000 mm
70 905 Pole with anch.section H 6000 mm
70 900 Pole with baseplate H 4000 mm
70 902 Pole with baseplate H 5000 mm
70 904 Pole with baseplate H 6000 mm

For suitable connection boxes please see the instructions for use of the luminaire poles.

Light distribution