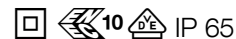


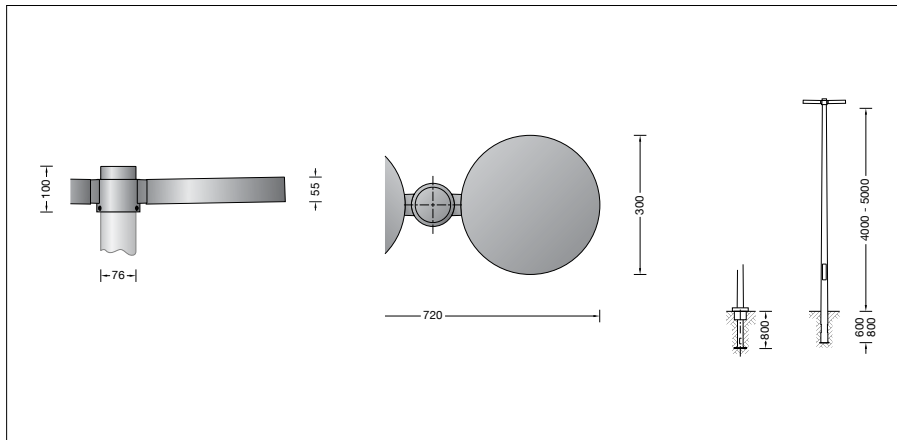
BEGA**99 403**

Pole top luminaire



Project · Reference number

Date



Product data sheet

Application

LED pole-top luminaire with symmetrical light distribution.

For mounting heights 4000 - 5000 mm.

Product description

Luminaire made of aluminium alloy, aluminium and stainless steel
 BEGA Unidure® coating technology
 Safety glass with optical structure
 Silicone gasket
 Reflector made of pure anodised aluminium
 For pole top \varnothing 76 mm
 Slip fitter insert depth 50 mm
 2 x Connecting cable ÖLFLEX 4 x 1[□]
 Cable length 5 m
 LED power supply unit
 220-240 V \sphericalangle 0/50-60 Hz
 DC 176-276 V
 DALI controllable
 A basic isolation exists between power cable and control line
 BEGA Thermal Control®
 Temporary thermal regulation to protect temperature-sensitive components without switching off the luminaire
 Safety class II
 Protection class IP 65
 Dust-tight and protection against water jets
 Impact strength IK08
 Protection against mechanical impacts < 5 joule
 – Safety mark
 – Conformity mark
 Horizontal wind catching area: 0.05 m²
 Weight: 7.2 kg

Lamp

Module connected wattage 2x 16 W
 Luminaire connected wattage 37 W
 Rated temperature $t_a = 25\text{ }^\circ\text{C}$
 Ambient temperature $t_{a\text{max}} = 50\text{ }^\circ\text{C}$

99 403 K4

Module designation 8x LED-0299/840
 Colour temperature 4000 K
 Colour rendering index CRI > 80
 Module luminous flux 4520 lm
 Luminaire luminous flux 3734 lm
 Luminaire luminous efficiency 100,9 lm/W

99 403 K3

Module designation 8x LED-0299/830
 Colour temperature 3000 K
 Colour rendering index CRI > 80
 Module luminous flux 4520 lm
 Luminaire luminous flux 3734 lm
 Luminaire luminous efficiency 100,9 lm/W

Service life · Ambient temperature

Rated temperature $t_a = 25\text{ }^\circ\text{C}$
 LED psu: > 50,000h
 LED module: > 200,000h (L 80 B 50)
 100,000h (L 90 B 50)

Ambient temperature $t_{a\text{max}} = 50\text{ }^\circ\text{C}$ (100 %)

LED psu: 50,000h
 LED module: 117,000h (L 80 B 50)

Light technique

Luminaire data for the light planning program DIALux for outdoor lighting, street lighting and indoor lighting as well as luminaire data in EULUMDAT- and IES-format you will find on the BEGA web page www.bega.com.

Inrush current

Inrush current: 12 A / 24.2 μs
 Maximum number of luminaires of this type per miniature circuit breaker:
 B 10A: 50 luminaires
 B 16A: 50 luminaires
 C 10A: 50 luminaires
 C 16A: 50 luminaires

Article No. 99 403

LED colour temperature optionally 4000 K or 3000 K
 4000 K – Article number + **K4**
 3000 K – Article number + **K3**

Colour graphite or silver
 graphite – article number
 silver – article number + **A**

Accessories

For this luminaire we recommend the following BEGA luminaire poles:

Tapered aluminium poles, lacquered with access door and C-clamp
70 914 Pole with anch.section H 4000 mm
70 725 Pole with anch.section H 4500 mm
70 915 Pole with anch.section H 5000 mm
70 791 Pole with baseplate H 4000 mm
70 792 Pole with baseplate H 4500 mm
70 794 Pole with baseplate H 5000 mm

Cylindrically stepped aluminium poles, lacquered with door und C rail
70 901 Pole with anch.section H 4000 mm
70 903 Pole with anch.section H 5000 mm
70 905 Pole with anch.section H 6000 mm
70 900 Pole with baseplate H 4000 mm
70 902 Pole with baseplate H 5000 mm

For suitable connection boxes please see the instructions for use of the luminaire poles.

Light distribution