

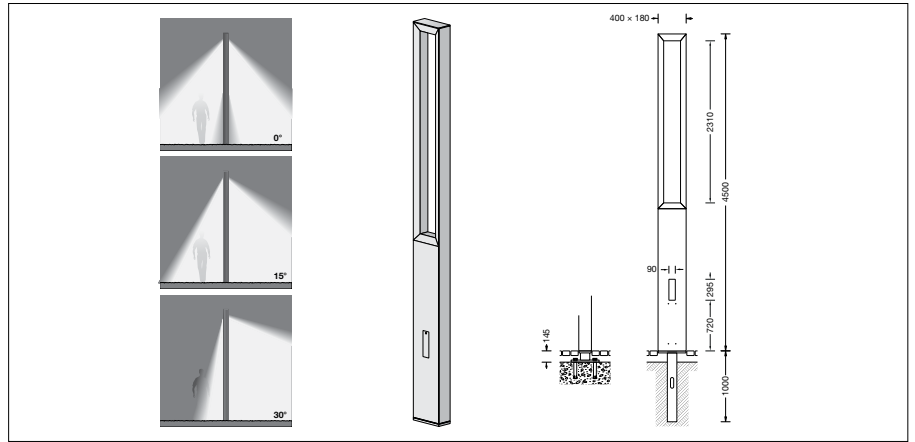
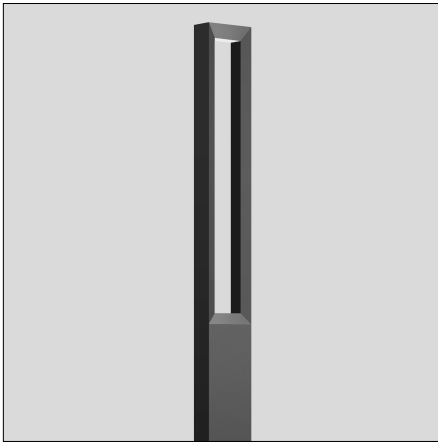
BEGA**99 075**

Light building element



Project · Reference number

Date

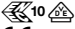
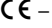


Product data sheet

Application

LED light building element with light distribution adjustable in 3 steps.

Product description

Luminaire made of aluminium alloy, aluminium and stainless steel
 Clear safety glass · Silicone gasket
 Reflector made of pure anodised aluminium
 optical system can be adjusted 0°, 15° or 30°
 Fixing of the light building element with anchorage unit **71 139** or mounting base **70 844** for bolting onto a foundation (see accessories)
 With inserted door made of die cast aluminium
 Square door latch (wrench size 8 mm)
 Connection box 70 629
 for through-wiring – for 2 cables up to 5 x 10³ with two fuses Neozed D01 · 6A
 LED power supply unit
 220-240 V ~ 0/50-60 Hz
 DC 176-264 V
 During DC operation the LED power is reduced to 50 %
 DALI controllable
 A basic isolation exists between power cable and control line
 Safety class I
 Protection class IP 65
 Dust-tight and protection against water jets
 Impact strength IK06
 Protection against mechanical impacts < 1 joule
 – Safety mark
 – Conformity mark
 Wind catching area: 1.63 m²
 Weight: 81.5 kg

Lamp

Module connected wattage	35.2 W
Luminaire connected wattage	40 W
Rated temperature	$t_a = 25\text{ °C}$
Ambient temperature	$t_{a\text{ max}} = 30\text{ °C}$

On request we can offer you modifications for environments with higher temperatures as a customized product.

99 075 K4

Module designation	LED-0315/840
Colour temperature	4000 K
Colour rendering index	CRI > 80
Module luminous flux	6870 lm
Luminaire luminous flux	3875 lm
Luminaire luminous efficiency	96,9 lm/W

99 075 K3

Module designation	LED-0315/830
Colour temperature	3000 K
Colour rendering index	CRI > 80
Module luminous flux	6680 lm
Luminaire luminous flux	3767 lm
Luminaire luminous efficiency	94,2 lm/W

Service life of the LED

Ambient temperature $t_a = 25\text{ °C}$
 – at > 500,000h: L 70 B 50

max. ambient temperature $t_a = 30\text{ °C}$
 – at 500,000h: L 70 B 50

Ambient temperature $t_{a\text{ max}} = 50\text{ °C}$ (75 %)
 LED psu: 50,000h
 LED module: 50,000h

BEGA Thermal Control® protects temperature-sensitive luminaire components by temporarily limiting the nominal power at high temperatures.

Inrush current

Inrush current: 5 A / 100 μs
 Maximum number of luminaires of this type per miniature circuit breaker:
 B 10A: 27 luminaires
 B 16A: 44 luminaires
 C 10A: 27 luminaires
 C 16A: 44 luminaires

Light technique

An internal adjusting device allows you to adjust the optical system of the luminaire. In this way, symmetrical light distribution can be achieved with the same proportions of light or with different, asymmetrical light distribution.

Article No. 99 075

LED colour temperature optionally 4000 K or 3000 K
 4000 K – Article number + **K4**
 3000 K – Article number + **K3**

Colour graphite or silver
 graphite – article number
 silver – article number + **A**

Accessories

71 139 Anchorage unit
70 844 Mounting base

A separate instructions for use can be provided upon request.

Light distribution