

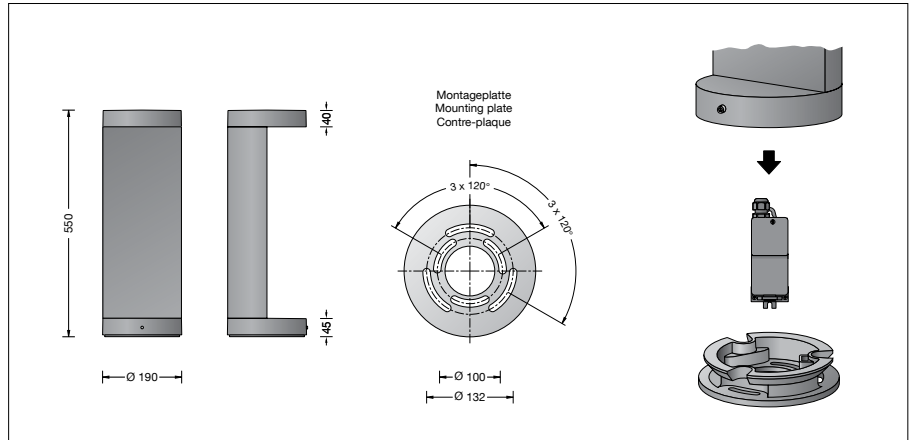
BEGA**99 056**

Bollard



Project · Reference number

Date



Product data sheet

Application

Shielded LED bollard with flat beam light distribution.

For the illumination of squares, access roads and entry areas.

Product description

Luminaire made of aluminium profile, aluminium alloy, aluminium and stainless steel
Safety glass with optical structure
Silicone gasket
Reflector made of pure anodised aluminium
Luminaire with mounting plate for bolting onto a foundation or an anchorage unit
Mounting plate with two pitch circles:
Ø 100 mm, 3 elongated holes 9 mm wide
Ø 132 mm, 3 elongated holes 9 mm wide
Luminaire can be aligned on the mounting plate around 360°

Connection box for through-wiring

– for 2 cables up to 5 × 2,5²

Fuse terminal with micro fuse

6.3 A slow Ø 5 × 20 mm

LED power supply unit

220-240 V ~ 0/50-60 Hz

DC 176-276 V

During DC operation the LED power is reduced to 50 %

Safety class I

Protection class IP 65

Dust-tight and protection against water jets

Impact strength IK07

Protection against mechanical

impacts < 2 joule

– Safety mark

– Conformity mark

Weight: 4.9 kg

Lamp

Module connected wattage 11.6 W
Luminaire connected wattage 13.8 W
Rated temperature $t_a = 25\text{ °C}$
Ambient temperature $t_{a\text{max}} = 55\text{ °C}$

On request we can offer you modifications for environments with higher temperatures as a customized product.

99 056 K3

Module designation LED-0483/830
Colour temperature 3000 K
Colour rendering index CRI > 80
Module luminous flux 2180 lm
Luminaire luminous flux 1361 lm
Luminaire luminous efficiency 98,6 lm/W

99 056 K4

Module designation LED-0483/840
Colour temperature 4000 K
Colour rendering index CRI > 80
Module luminous flux 2235 lm
Luminaire luminous flux 1395 lm
Luminaire luminous efficiency 101,1 lm/W

Lifetime of the LED

Ambient temperature $t_a = 15\text{ °C}$
– at 50,000 h: L90B10
– at > 500,000 h: L70B50

Ambient temperature $t_a = 25\text{ °C}$
– at 50,000 h: L90B10
– at > 500,000 h: L70B50

max. ambient temperature $t_a = 55\text{ °C}$
– at 50,000 h: L80B10
– at 164,000 h: L70B50

Inrush current

Inrush current: 12 A / 24.2 μs
Maximum number of luminaires of this type per miniature circuit breaker:
B 10A: 50 luminaires
B 16A: 50 luminaires
C 10A: 50 luminaires
C 16A: 50 luminaires

Light technique

Luminaire data for the light planning program DIALux for outdoor lighting, street lighting and indoor lighting as well as luminaire data in EULUMDAT- and IES-format you will find on the BEGA web page www.bega.com.

Article No. 99 056

LED colour temperature optionally 3000 K or 4000 K
3000 K – Article number + **K3**
4000 K – Article number + **K4**

Colour graphite or silver
graphite – article number
silver – article number + **A**

Accessory

70 895 Anchorage unit with mounting flange made of hot-dip galvanised steel. Total length 400 mm. 3 stainless steel fixing screws M8. Pitch circle Ø 100 mm.

See the separate instructions for use.

Light distribution

