

GLASHÜTTE LIMBURG**Product data sheet****Wall luminaire****8680**

Project · Reference number

Date

Application

Wall luminaire with hand-blown,
satin matt opal glass.

The character of the three-ply opal glass
creates a smooth and uniform light
distribution in the room.

Product description

Luminaire made of aluminium, matt surface
finish

Hand-blown opal glass, satin matt

2 fixing holes \varnothing 6 mm

350 mm spacing

Connecting terminals 2.5[□]

Earth conductor connection

Lampholder 2 G 11

Electronic ballast

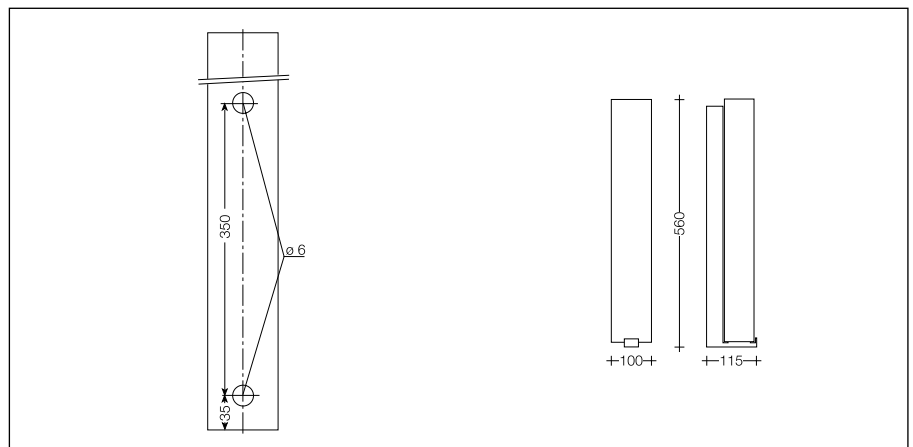
230-240 V \sim 0/50-60 Hz

Safety class I

– Safety mark

CE – Conformity mark

Weight: 1.8 kg


www.glashuette-limburg.com
**Lamp**

Compact fluorescent lamp

TC-L · 36 W · 2 G 11

Osram: Dulux L 36 W

2900 lm

Philips: PL-L 36 W

2900 lm

Please note the lamp manufacturers' operating
instructions.