

**GLASHÜTTE LIMBURG****Product data sheet****Wall luminaire****89 652**

Project · Reference number

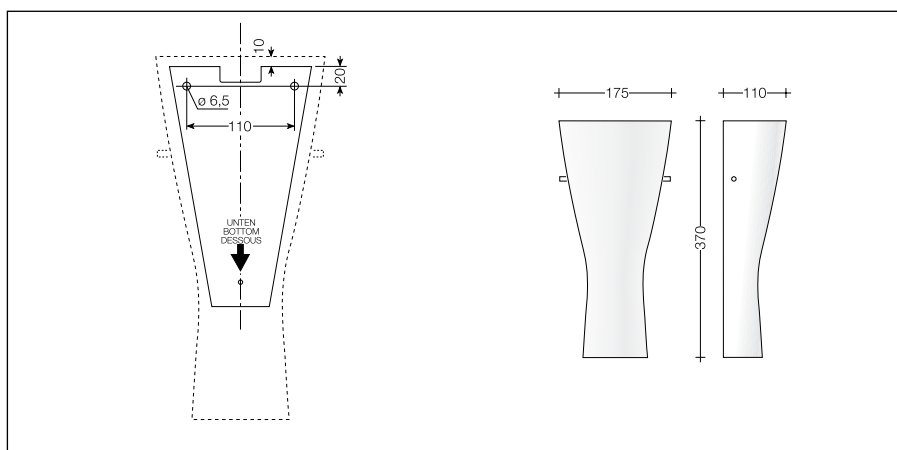
Date

**Application**

Open and free-radiating wall luminaire with hand-blown opal glass and metal bracket. The character of the opal glass creates a smooth and uniform light distribution in the room.

**Product description**

Aluminium bracket, finish white enamel  
 Stainless steel glass holding bolts  
 Hand-blown opal glass  
 Mounting plate with 2 fixing holes  $\varnothing$  6.5 mm · 110 mm spacing  
 Lampholder terminals 2.5<sup>□</sup>  
 Earth conductor terminal  
 Lampholder E 27  
 Safety class I  
 CE – Conformity mark  
 Weight: 2.0 kg

**Lamp**

Luminaire with lampholder E 27  
 Lamp wattage max. 100 W

High voltage tungsten halogen lamp QA 55 ·  
 E 27

Osram: Halogen Eco Classic A 77 W 1320 lm  
 Philips: Eco Classic A 70 W 1200 lm

Please note the lamp manufacturers' operating instructions.