

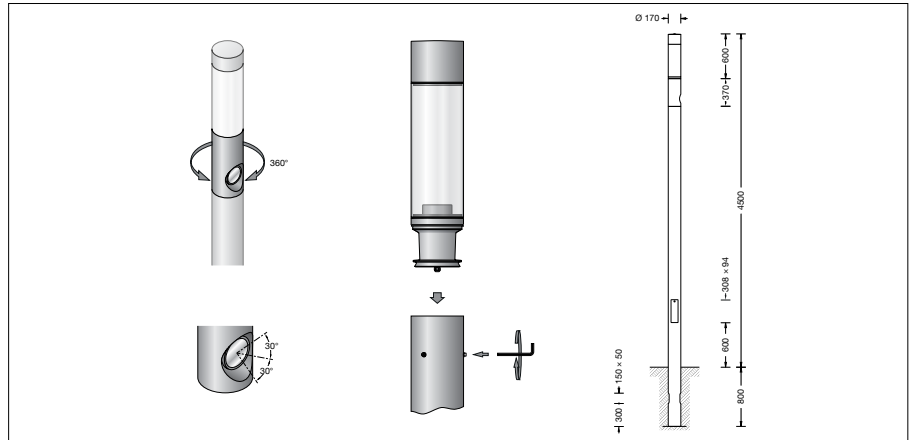
BEGA**88 863**

Light building element



Project · Reference number

Date



Product data sheet

Application

LED light building element with rotationally symmetrical light distribution for lighting and designing squares, access roads and entrance areas.

With adjustable LED floodlight for the illumination of architectonic details in the immediate vicinity of the luminaires.

Product description

Luminaire made of aluminium alloy, aluminium and stainless steel
Synthetic diffuser, clear
Reflector made of anodised pure aluminium
Inclination angle of the individual floodlight is adjustable from 0° to 30°
Floodlight can be rotated by 360° around the vertical axis of the light building element.
Luminaire pole made of aluminium
Length of anchorage section 800 mm
2 opposite cable entries 150 x 50 mm
With inserted door made of aluminium alloy
Door latch square spanner wrench size 8 mm.
Connection box 71 084 for through-wiring – for 2 cables up to 7 x 6²
Terminal connection L1 · L2 · L3 · N · PE
2 connecting terminals for connecting DALI control cables
Fuse terminal with micro fuse
6,3 A slow ϕ 5 x 20 mm
LED power supply unit
220-240 V \sim 0/50-60 Hz
DC 176-264 V
During DC operation the LED power is reduced to 50 %
DALI controllable
A basic isolation exists between power cable and control line
Protection class IP 65
Dust-tight and protection against water jets
Safety class I
 – Safety mark
 – Conformity mark
Weight: 38.1 kg

Lamp**Luminaire head**

Module connected wattage 29.4 W
Luminaire connected wattage 33 W
Rated temperature $t_a = 25^\circ\text{C}$
Ambient temperature $t_{a\text{max}} = 50^\circ\text{C}$

88 863 K4

Module designation LED-0389/840
Colour temperature 4000 K
Colour rendering index CRI > 80
Module luminous flux 5720 lm
Luminaire luminous flux 3769 lm
Luminaire luminous efficiency 114,2 lm/W

88 863 K3

Module designation LED-0389/830
Colour temperature 3000 K
Colour rendering index CRI > 80
Module luminous flux 5560 lm
Luminaire luminous flux 3663 lm
Luminaire luminous efficiency 111 lm/W

Floodlight

Module connected wattage 5.7 W
Floodlight connected wattage 7 W
Rated temperature $t_a = 25^\circ\text{C}$
Ambient temperature $t_{a\text{max}} = 50^\circ\text{C}$

88 863 K4

Module designation LED-0438/840
Colour temperature 4000 K
Colour rendering index CRI > 80
Module luminous flux 1005 lm
Luminaire luminous flux 608 lm
Luminaire luminous efficiency 86,9 lm/W

88 863 K3

Module designation LED-0438/830
Colour temperature 3000 K
Colour rendering index CRI > 80
Module luminous flux 915 lm
Luminaire luminous flux 554 lm
Luminaire luminous efficiency 79,1 lm/W

For special lighting applications, it is possible to alter the symmetrical light cone to create wide beam or flat beam light distribution by changing the cover glass.

Service life of the LED

Ambient temperature $t_a = 25^\circ\text{C}$
– at > 500,000 h: L70 B50

max. ambient temperature $t_a = 50^\circ\text{C}$
– at 140,000 h: L70 B50

Lighting technology

Half beam angle 17°
Luminaire data for the light planning program DIALux for outdoor lighting, street lighting and interior lighting as well as luminaire data in EULUMDAT and IES format are available on our website www.bega.com.

Inrush current

Inrush current: 5 A / 100 μs
Maximum number of luminaires of this type per miniature circuit breaker:
B 10 A: 27 luminaires
B 16 A: 44 luminaires
C 10 A: 27 luminaires
C 16 A: 44 luminaires

Article No. 88 863

LED colour temperature optionally 4000 K or 3000 K

4000 K – Article number + **K4**
3000 K – Article number + **K3**

Colour graphite or silver
graphite – article number
silver – article number + **A**

Accessories

10 043 Exchangeable lens wide beam
10 014 Exchangeable lens flat beam

For the accessories a separate instructions for use can be provided upon request.

Light distribution