

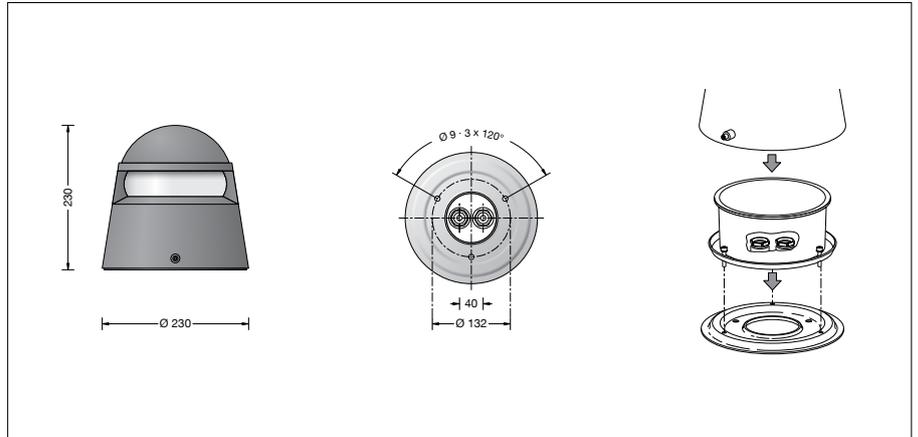
BEGA**88 361**

Surface-mounted luminaire



Project · Reference number

Date



Product data sheet

Application

LED luminaire for glare-free illumination of floor surfaces from an extremely low mounting height. For the illumination of forecourts, gateways and ways in private and public facilities.

Product description

Luminaire made of aluminium alloy, aluminium and stainless steel
Optical cylindrical lens made of crystal glass
Silicone gasket
Single side light exit 180°
Luminaire with mounting plate for bolting onto a foundation or an anchorage unit
Mounting plate with 3 fixing holes \varnothing 9 mm
Angle 120° · Pitch circle \varnothing 132 mm
2 inner screw cable glands complete with cone-thrust collar, gaskets and dummy plugs, suitable for through-wiring of mains supply cable of \varnothing 9-15 mm max. $3 \times 2,5^2$
Connecting terminal 2.5^2
with plug connection
Earth conductor connection
LED power supply unit
220-240 V \sim 0/50-60 Hz
DC 170-280 V
Safety class I
Protection class IP 67
Dust-tight and protection against temporary immersion
Impact strength IK06
Protection against mechanical impacts < 1 joule
 – Safety mark
CE – Conformity mark
Weight: 5.2 kg

Lamp

Module connected wattage 18.1 W
Luminaire connected wattage 21 W
Rated temperature $t_a = 25^\circ\text{C}$
Ambient temperature $t_{a\text{max}} = 45^\circ\text{C}$

On request we can offer you modifications for environments with higher temperatures as a customized product.

88 361 K3

Module designation LED-0829/830
Colour temperature 3000 K
Colour rendering index CRI > 80
Module luminous flux 2610 lm
Luminaire luminous flux 258 lm
Luminaire luminous efficiency 12,3 lm/W

88 361 K4

Module designation LED-0829/840
Colour temperature 4000 K
Colour rendering index CRI > 80
Module luminous flux 2790 lm
Luminaire luminous flux 276 lm
Luminaire luminous efficiency 13,1 lm/W

Service life of the LED

Ambient temperature $t_a = 25^\circ\text{C}$
– at 340,000 h: L70 B50

max. ambient temperature $t_a = 45^\circ\text{C}$
– at 230,000 h: L70 B50

Inrush current

Inrush current: 5 A / 50 μs
Maximum number of luminaires of this type per miniature circuit breaker:
B 10A: 31 luminaires
B 16A: 50 luminaires
C 10A: 52 luminaires
C 16A: 85 luminaires

Light technique

Luminaire data for the light planning program DIALux for outdoor lighting, street lighting and indoor lighting as well as luminaire data in EULUMDAT- and IES-format you will find on the BEGA web page www.bega.com.

Article No. 88 361

LED colour temperature optionally 3000 K or 4000 K
3000 K – Article number + **K3**
4000 K – Article number + **K4**

Colour graphite or silver
graphite – article number
silver – article number + **A**

Accessory

70 896 Anchorage unit
Anchorage unit with mounting flange made of hot-dip galvanised steel. Total length 500 mm. 3 stainless steel fixing screws M 8. Pitch circle \varnothing 132 mm.

See the separate instructions for use.

Light distribution