

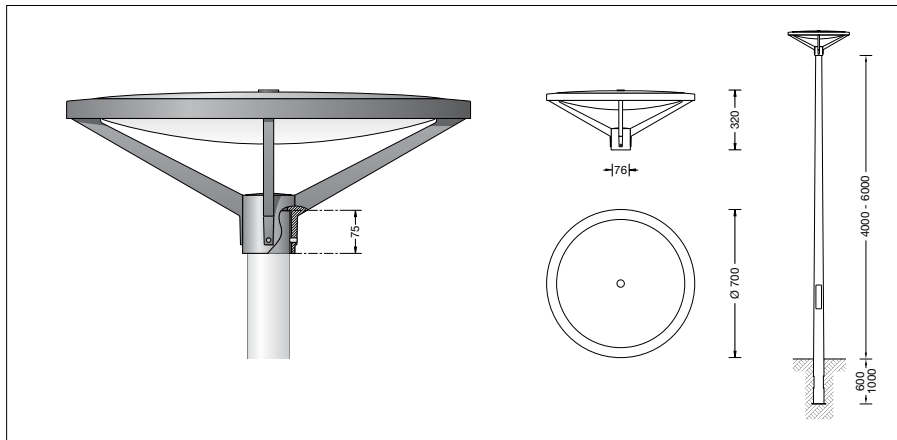
**BEGA****88 263**

Pole top luminaire



Project · Reference number

Date



## Product data sheet

**Application**

LED pole-top luminaire with symmetrical light distribution.

For mounting heights 4000 - 6000 mm.

**Product description**

Luminaire made of aluminium alloy, aluminium and stainless steel  
 BEGA Unidure® coating technology  
 Synthetic diffuser with white light-diffusing matt finish  
 Silicone gasket  
 For pole top  $\varnothing$  76 mm  
 Slip fitter insert depth 75 mm  
 Connecting cable X05BQ-F 5 G 1<sup>□</sup>  
 Cable length 6 m  
 LED power supply unit  
 220-240 V  $\sim$  0/50-60 Hz  
 DC 176-276 V  
 DALI controllable  
 A basic isolation exists between power cable and control line  
 BEGA Thermal Control®  
 Temporary thermal regulation to protect temperature-sensitive components without switching off the luminaire  
 Safety class I  
 Protection class IP 65  
 Dust-tight and protection against water jets  
 Impact strength IK09  
 Protection against mechanical impacts < 10 joule  
 – Safety mark  
 – Conformity mark  
 Horizontal wind catching area: 0.09 m<sup>2</sup>  
 Weight: 11.5 kg

**Lamp**

Module connected wattage 24 W  
 Luminaire connected wattage 27.5 W  
 Rated temperature  $t_a = 25\text{ }^\circ\text{C}$   
 Ambient temperature  $t_{a\text{ max}} = 50\text{ }^\circ\text{C}$

**88 263 K4**

Module designation 4x LED-0601/840  
 Colour temperature 4000 K  
 Colour rendering index CRI > 80  
 Module luminous flux 4200 lm  
 Luminaire luminous flux 2701 lm  
 Luminaire luminous efficiency 98,2 lm/W

**88 263 K3**

Module designation 4x LED-0601/830  
 Colour temperature 3000 K  
 Colour rendering index CRI > 80  
 Module luminous flux 4000 lm  
 Luminaire luminous flux 2572 lm  
 Luminaire luminous efficiency 93,5 lm/W

**Service life · Ambient temperature**

Rated temperature  $t_a = 25\text{ }^\circ\text{C}$   
 LED psu: > 50,000 h  
 LED module: 125,000 h (L80 B50)

Ambient temperature  $t_{a\text{ max}} = 50\text{ }^\circ\text{C}$  (100 %)  
 LED psu: 50,000 h  
 LED module: 110,000 h (L80 B50)

**Light technique**

Luminaire data for the light planning program  
 DIALux for outdoor lighting, street lighting and indoor lighting as well as luminaire data in EULUMDAT- and IES-format you will find on the BEGA web page [www.bega.com](http://www.bega.com).

**Inrush current**

Inrush current: 12 A / 24.2  $\mu\text{s}$   
 Maximum number of luminaires of this type per miniature circuit breaker:  
 B 10A: 50 luminaires  
 B 16A: 50 luminaires  
 C 10A: 50 luminaires  
 C 16A: 50 luminaires

**Article No. 88 263**

LED colour temperature optionally 4000 K or 3000 K

4000 K – Article number + **K4**  
 3000 K – Article number + **K3**

Colour graphite or silver  
 graphite – article number  
 silver – article number + **A**

**Accessories**

For this luminaire we recommend the following BEGA luminaire poles:

Tapered aluminium poles, lacquered with access door and C-clamp  
**70914** Pole with anch.section H 4000 mm  
**70725** Pole with anch.section H 4500 mm  
**70915** Pole with anch.section H 5000 mm  
**70916** Pole with anch.section H 6000 mm  
**70791** Pole with baseplate H 4000 mm  
**70792** Pole with baseplate H 4500 mm  
**70794** Pole with baseplate H 5000 mm

Cylindrically stepped aluminium poles, lacquered with door und C rail  
**70901** Pole with anch.section H 4000 mm  
**70903** Pole with anch.section H 5000 mm  
**70905** Pole with anch.section H 6000 mm  
**70900** Pole with baseplate H 4000 mm  
**70902** Pole with baseplate H 5000 mm  
**70904** Pole with baseplate H 6000 mm

For suitable connection boxes please see the instructions for use of the luminaire poles.

**Light distribution**