

**BEGA****88 261**

Garden and pathway luminaire



Project · Reference number

Date

## Product data sheet

### Application

LED garden and path luminaire with shielded, flat beam light directed downwards.  
Luminaire for illuminating entrances, footpaths as well as many areas of garden and landscape architecture.

### Product description

Luminaire made of aluminium alloy, aluminium and stainless steel  
Safety glass with optical structure  
Silicone gasket  
Reflector made of pure anodised aluminium  
Luminaire with mounting plate for bolting onto a foundation or an anchorage unit  
Mounting plate with 3 elongated holes, Width 7 mm, Pitch circle  $\varnothing$  70 mm  
Luminaire can be aligned on the mounting plate around 360°  
Mounting bracket with connection box 70 632 for through-wiring – for 2 cables up to  $5 \times 4^2$  with fuse Neozed D 01 · 6 A  
LED power supply unit  
220-240 V  $\sim$  0/50-60 Hz  
DC 198-280 V  
Safety class I  
Protection class IP 65  
Dust-tight and protection against water jets  
Impact strength IK08  
Protection against mechanical impacts < 5 joule  
 – Safety mark  
**CE** – Conformity mark  
Weight: 5.0 kg

### Inrush current

Inrush current: 5 A / 50  $\mu$ s  
Maximum number of luminaires of this type per miniature circuit breaker:  
B 10A: 30 luminaires  
B 16A: 50 luminaires  
C 10A: 52 luminaires  
C 16A: 80 luminaires

### Lamp

Module connected wattage	20.6 W
Luminaire connected wattage	24.8 W
Rated temperature	$t_a = 25^\circ\text{C}$
Ambient temperature	$t_{a\text{max}} = 50^\circ\text{C}$

On request we can offer you modifications for environments with higher temperatures as a customized product.

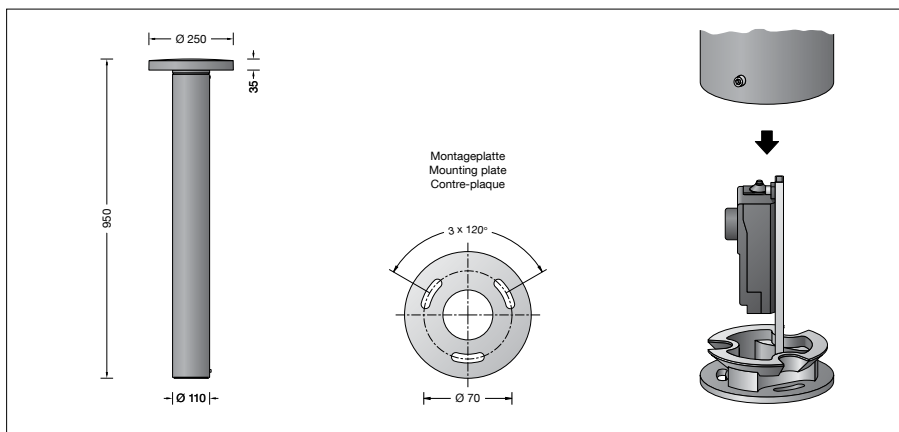
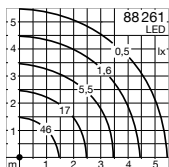
### 88 261 K3

Module designation	2x LED-0434/830
Colour temperature	3000 K
Colour rendering index	CRI > 80
Module luminous flux	3020 lm
Luminaire luminous flux	1732 lm
Luminaire luminous efficiency	69,8 lm/W

### 88 261 K4

Module designation	2x LED-0434/840
Colour temperature	4000 K
Colour rendering index	CRI > 80
Module luminous flux	3050 lm
Luminaire luminous flux	1749 lm
Luminaire luminous efficiency	70,5 lm/W

### Light distribution



### Lifetime of the LED

Ambient temperature  $t_a = 15^\circ\text{C}$   
– at 50,000h: L90B10  
– at > 500,000h: L70B50

Ambient temperature  $t_a = 25^\circ\text{C}$   
– at 50,000h: L80B10  
– at 470,000h: L70B50

max. ambient temperature  $t_a = 50^\circ\text{C}$   
– at 50,000h: L80B10  
– at 280,000h: L70B50

### Light technique

Luminaire data for the light planning program DIALux for outdoor lighting, street lighting and indoor lighting as well as luminaire data in EULUMDAT- and IES-format you will find on the BEGA web page [www.bega.com](http://www.bega.com).

### Article No. 88 261

LED colour temperature optionally 3000K or 4000K  
3000 K – Article number + **K3**  
4000 K – Article number + **K4**

Colour graphite or silver  
graphite – article number  
silver – article number + **A**

### Accessory

**70 894** Anchorage unit  
Anchorage unit with mounting flange made of galvanised steel.  
Total length 400 mm.  
3 stainless steel mounting screws M 6.  
Pitch circle  $\varnothing$  70 mm.

See the separate instructions for use.