

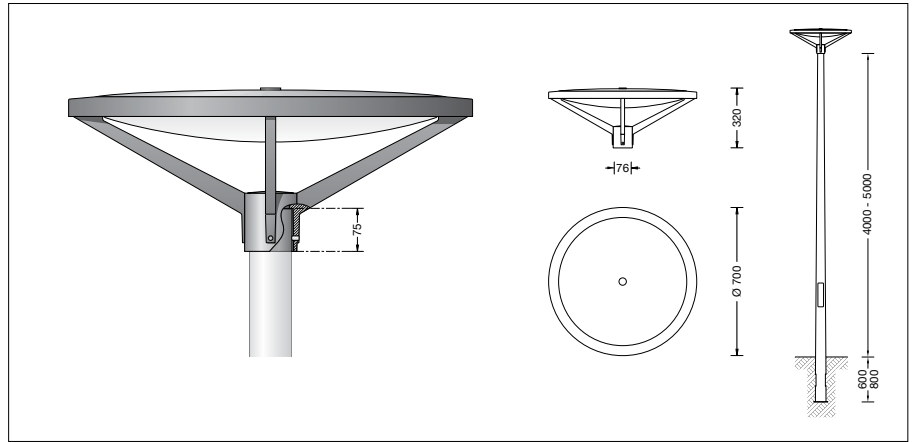
BEGA**88 260**

Pole top luminaire



Project · Reference number

Date



Product data sheet

Application

LED pole-top luminaire with symmetrical light distribution.

For mounting heights 4000 - 5000 mm.

Product description

Luminaire made of aluminium alloy, aluminium and stainless steel
 BEGA Unidure® coating technology
 Synthetic diffuser with white light-diffusing matt finish
 Silicone gasket
 For pole top \varnothing 76 mm
 Slip fitter insert depth 75 mm
 Connecting cable X05BQ-F 5 G 1[□]
 Cable length 5 m
 LED power supply unit
 220-240 V \sphericalangle 0/50-60 Hz
 DC 176-276 V
 DALI controllable
 A basic isolation exists between power cable and control line
 BEGA Thermal Control®
 Temporary thermal regulation to protect temperature-sensitive components without switching off the luminaire
 Safety class I
 Protection class IP 65
 Dust-tight and protection against water jets
 Impact strength IK09
 Protection against mechanical impacts < 10 joule
 – Safety mark
 – Conformity mark
 Horizontal wind catching area: 0.09 m²
 Weight: 11.5 kg

Lamp

Module connected wattage 16 W
 Luminaire connected wattage 19 W
 Rated temperature $t_a = 25\text{ }^\circ\text{C}$
 Ambient temperature $t_{a\text{ max}} = 55\text{ }^\circ\text{C}$

88 260 K4

Module designation 4x LED-0600/840
 Colour temperature 4000 K
 Colour rendering index CRI > 80
 Module luminous flux 2800 lm
 Luminaire luminous flux 1809 lm
 Luminaire luminous efficiency 95,2 lm/W

88 260 K3

Module designation 4x LED-0600/830
 Colour temperature 3000 K
 Colour rendering index CRI > 80
 Module luminous flux 2660 lm
 Luminaire luminous flux 1718 lm
 Luminaire luminous efficiency 90,4 lm/W

Service life · Ambient temperature

Rated temperature $t_a = 25\text{ }^\circ\text{C}$
 LED psu: > 50,000 h
 LED module: 125,000 h (L80 B50)

Ambient temperature $t_{a\text{ max}} = 55\text{ }^\circ\text{C}$ (100 %)
 LED psu: 50,000 h
 LED module: 110,000 h (L80 B50)

Light technique

Luminaire data for the light planning program
 DIALux for outdoor lighting, street lighting and indoor lighting as well as luminaire data in EULUMDAT- and IES-format you will find on the BEGA web page www.bega.com.

Inrush current

Inrush current: 12 A / 24.2 μs
 Maximum number of luminaires of this type per miniature circuit breaker:

B 10A: 50 luminaires
 B 16A: 50 luminaires
 C 10A: 50 luminaires
 C 16A: 50 luminaires

Article No. 88 260

LED colour temperature optionally 4000 K or 3000 K

4000 K – Article number + **K4**
 3000 K – Article number + **K3**

Colour graphite or silver
 graphite – article number
 silver – article number + **A**

Accessories

For this luminaire we recommend the following BEGA luminaire poles:

Tapered aluminium poles,
 lacquered with access door and C-clamp

70 914 Pole with anch.section	H 4000 mm
70 725 Pole with anch.section	H 4500 mm
70 915 Pole with anch.section	H 5000 mm
70 791 Pole with baseplate	H 4000 mm
70 792 Pole with baseplate	H 4500 mm
70 794 Pole with baseplate	H 5000 mm

Cylindrically stepped aluminium poles,
 lacquered with door und C rail

70 901 Pole with anch.section	H 4000 mm
70 903 Pole with anch.section	H 5000 mm
70 905 Pole with anch.section	H 6000 mm
70 900 Pole with baseplate	H 4000 mm
70 902 Pole with baseplate	H 5000 mm

For suitable connection boxes please see the instructions for use of the luminaire poles.

Light distribution