

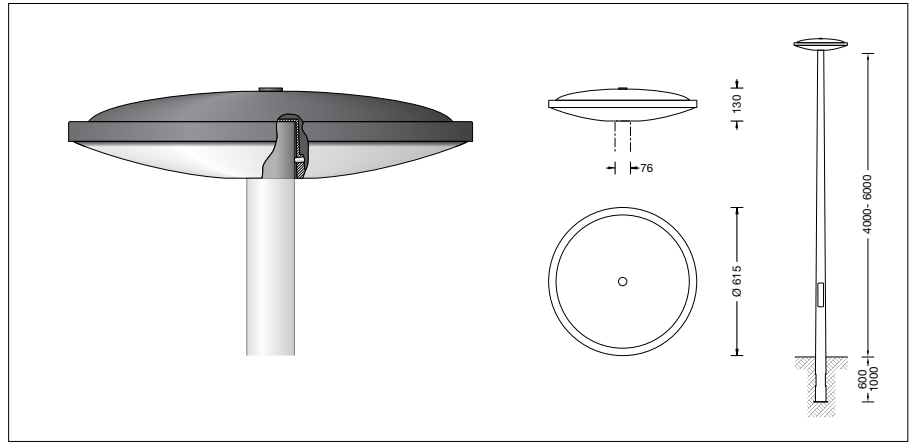
BEGA**88 164**

Pole top luminaire



Project · Reference number

Date



Product data sheet

Application

LED pole-top luminaire with symmetrical light distribution.

For mounting heights 4000 - 6000 mm.

Product description

Luminaire made of aluminium alloy, aluminium and stainless steel
BEGA Unidure® coating technology
Synthetic diffuser with white light-diffusing matt finish

Silicone gasket

For pole top \varnothing 76 mm

Slip fitter insert depth 85 mm

Connecting cable X05BQ-F 5 G 1[°]

Cable length 6 m

LED power supply unit

220-240 V \sphericalangle 0/50-60 Hz

DC 170-280 V

DALI controllable

A basic isolation exists between power cable and control line

BEGA Thermal Switch®

Temporary thermal shutdown to protect temperature-sensitive components

Safety class I

Protection class IP 65

Dust-tight and protection against water jets

Impact strength IK09

Protection against mechanical

impacts < 10 joule

– Safety mark

CE – Conformity mark

Horizontal wind catching area: 0.06 m²

Weight: 6.0 kg

Lamp

Module connected wattage 24 W

Luminaire connected wattage 27.5 W

Rated temperature $t_a = 25\text{ °C}$

Ambient temperature $t_{a\text{max}} = 45\text{ °C}$

On request we can offer you modifications for environments with higher temperatures as a customized product.

88 164 K4

Module designation 4x LED-0601/840

Colour temperature 4000 K

Colour rendering index CRI > 80

Module luminous flux 4200 lm

Luminaire luminous flux 2873 lm

Luminaire luminous efficiency 104,5 lm/W

88 164 K3

Module designation 4x LED-0601/830

Colour temperature 3000 K

Colour rendering index CRI > 80

Module luminous flux 4000 lm

Luminaire luminous flux 2736 lm

Luminaire luminous efficiency 99,5 lm/W

Service life · Ambient temperature

Rated temperature $t_a = 25\text{ °C}$

LED psu: > 50,000h

LED module: 120,000h (L80B50)

Ambient temperature $t_{a\text{max}} = 45\text{ °C}$ (100 %)

LED psu: 50,000h

LED module: 110,000h (L80B50)

Light technique

Luminaire data for the light planning program DIALux for outdoor lighting, street lighting and indoor lighting as well as luminaire data in EULUMDAT- and IES-format you will find on the BEGA web page www.bega.com.

Inrush current

Inrush current: 5 A / 50 μ s

Maximum number of luminaires of this type per miniature circuit breaker:

B 10A: 31 luminaires

B 16A: 50 luminaires

C 10A: 52 luminaires

C 16A: 85 luminaires

Article No. 88 164

LED colour temperature optionally 4000 K or 3000 K

4000 K – Article number + **K4**

3000 K – Article number + **K3**

Colour graphite or silver

graphite – article number

silver – article number + **A**

Accessories

For this luminaire we recommend the following BEGA luminaire poles:

Tapered aluminium poles, lacquered with access door and C-clamp

70 914 Pole with anch.section H 4000 mm

70 725 Pole with anch.section H 4500 mm

70 915 Pole with anch.section H 5000 mm

70 916 Pole with anch.section H 6000 mm

70 791 Pole with baseplate H 4000 mm

70 792 Pole with baseplate H 4500 mm

70 794 Pole with baseplate H 5000 mm

Cylindrically stepped aluminium poles, lacquered with door und C rail

70 901 Pole with anch.section H 4000 mm

70 903 Pole with anch.section H 5000 mm

70 905 Pole with anch.section H 6000 mm

70 900 Pole with baseplate H 4000 mm

70 902 Pole with baseplate H 5000 mm

70 904 Pole with baseplate H 6000 mm

For suitable connection boxes please see the instructions for use of the luminaire poles.

Light distribution