

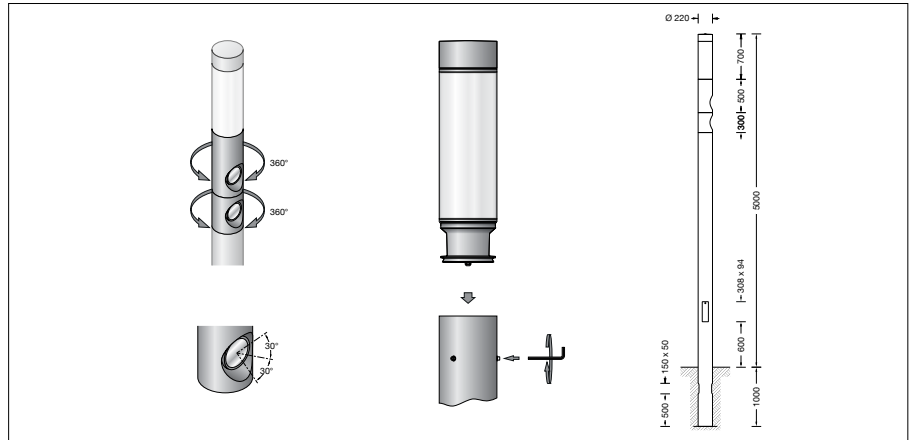
**BEGA****88 070**

Light building element



Project · Reference number

Date



## Product data sheet

**Product description**

Luminaire made of aluminium alloy, aluminium and stainless steel  
 Synthetic diffuser, clear  
 Reflector made of anodised pure aluminium  
 Inclination angle of the individual floodlights is adjustable from 0° to 30°  
 Floodlights can be rotated by 360° around the vertical axis of the light building element.  
 Luminaire pole made of aluminium  
 Length of anchorage section 1000 mm  
 2 opposite cable entries 150 x 50 mm  
 Screw-on ground plate approx. 250 x 250 mm  
 With inserted door made of aluminium alloy  
 Door latch square spanner wrench size 8 mm.  
 Connection box 71 084  
 for through-wiring – for 2 cables up to 7 x 6<sup>3</sup>  
 Terminal connection L1 · L2 · L3 · N · PE  
 2 connecting terminals for connecting DALI control cables  
 Fuse terminal with micro fuse  
 6,3 A slow  $\phi$  5 x 20 mm  
 LED power supply unit  
 220-240 V  $\sim$  0/50-60 Hz  
 DC 176-264 V  
 During DC operation the LED power is reduced to 50 %  
 DALI controllable  
 A basic isolation exists between power cable and control line  
 Safety class I  
 Protection class IP 65  
 Dust-tight and protection against water jets  
 Impact strength IK08  
 Protection against mechanical impacts < 5 joule  
 – Safety mark  
 – Conformity mark  
 Weight: 45.2 kg

**Application**

LED light building element with rotationally symmetrical light distribution for lighting and designing squares, access roads and entrance areas.  
 With 2 adjustable LED floodlights for the illumination of architectonic details in the immediate vicinity of the luminaires.

**Lamp****Luminaire head**

Rated temperature  
 Ambient temperature

$t_a = 25\text{ }^\circ\text{C}$   
 $t_{a\text{max}} = 50\text{ }^\circ\text{C}$

**88 070**

Module connected wattage	46.8 W
Luminaire connected wattage	52 W
Module designation	LED-0501/840
Colour temperature	4000 K
Colour rendering index	CRI > 80
Module luminous flux	9160 lm
Luminaire luminous flux	6459 lm
Luminaire luminous efficiency	124,2 lm/W

**Floodlight**

Module connected wattage	2x 11.5 W
Floodlight connected wattage	13 W
Rated temperature	$t_a = 25\text{ }^\circ\text{C}$
Ambient temperature	$t_{a\text{max}} = 50\text{ }^\circ\text{C}$

**88 070**

Module designation	LED-0833/840
Colour temperature	4000 K
Colour rendering index	CRI > 80
Module luminous flux	4020 lm
Luminaire luminous flux	2234 lm
Luminaire luminous efficiency	171,8 lm/W

**Inrush current**

Inrush current: 8 A / 100  $\mu$ s  
 Maximum number of luminaires of this type per miniature circuit breaker:  
 B 10A: 13 luminaires  
 B 16A: 22 luminaires  
 C 10A: 13 luminaires  
 C 16A: 22 luminaires

**Lighting technology**

Half beam angle 14°  
 Luminaire data for the light planning program DIALux for outdoor lighting, street lighting and interior lighting as well as luminaire data in EULUMDAT and IES format are available on our website [www.bega.com](http://www.bega.com).

**Service life of the LED**

Ambient temperature  $t_a = 25\text{ }^\circ\text{C}$   
 – at > 500,000 h: L 70 B 50

max. ambient temperature  $t_a = 50\text{ }^\circ\text{C}$   
 – at 112,000 h: L 70 B 50

**Article No. 88 070**

LED colour temperature optionally 4000 K or 3000 K

4000 K – Article number + **K4**  
 3000 K – Article number + **K3**

Colour graphite or silver  
 graphite – article number  
 silver – article number + **A**

**Accessories**

**10 047** Exchangeable lens wide beam  
**10 016** Exchangeable lens flat beam

For special lighting applications, it is possible to alter the symmetrical light cone to create wide beam or flat beam light distribution by changing the cover glass.

**Light distribution**