

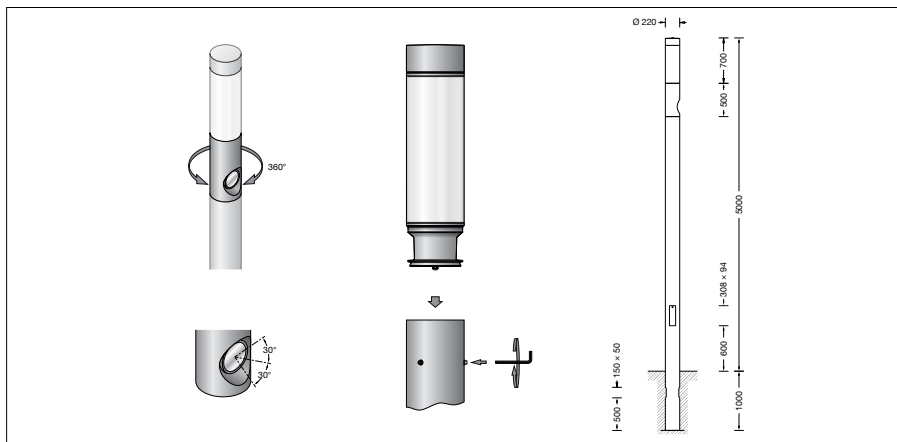
**BEGA****88 063**

Light building element



Project · Reference number

Date



## Product data sheet

**Application**

LED light building element with rotationally symmetrical light distribution for lighting and designing squares, access roads and entrance areas.

With adjustable LED floodlight for the illumination of architectonic details in the immediate vicinity of the luminaires.

**Product description**

Luminaire made of aluminium alloy, aluminium and stainless steel  
Synthetic diffuser, clear  
Reflector made of anodised pure aluminium  
Luminaire pole made of aluminium  
Length of anchorage section 1000 mm  
2 opposite cable entries 150 x 50 mm  
Screw-on ground plate approx. 250 x 250 mm  
With inserted door made of aluminium alloy  
Door latch square spanner wrench size 8 mm.  
Connection box 71 084 for through-wiring – for 2 cables up to 7 x 6<sup>2</sup>  
Terminal connection L1 · L2 · L3 · N · PE  
2 connecting terminals for connecting DALI control cables  
Fuse terminal with micro fuse  
6,3 A slow  $\phi$  5 x 20 mm  
LED power supply unit  
220-240 V  $\sim$  0/50-60 Hz  
DC 176-264 V  
During DC operation the LED power is reduced to 50 %  
DALI controllable  
A basic isolation exists between power cable and control line  
Safety class I  
Protection class IP 65  
Dust-tight and protection against water jets  
Impact strength IK08  
Protection against mechanical impacts < 5 joule  
 – Safety mark  
 – Conformity mark  
Weight: 61.7 kg

**Lamp****Luminaire head**

Module connected wattage 46.8 W  
Luminaire connected wattage 52 W  
Rated temperature  $t_a = 25$  °C  
Ambient temperature  $t_{a,max} = 50$  °C

**88 063 K4**

Module designation LED-0501/840  
Colour temperature 4000 K  
Colour rendering index CRI > 80  
Module luminous flux 9160 lm  
Luminaire luminous flux 6459 lm  
Luminaire luminous efficiency 124,2 lm/W

**88 063 K3**

Module designation LED-0501/830  
Colour temperature 3000 K  
Colour rendering index CRI > 80  
Module luminous flux 8905 lm  
Luminaire luminous flux 6279 lm  
Luminaire luminous efficiency 120,8 lm/W

**Floodlight**

Module connected wattage 11.5 W  
Floodlight connected wattage 13 W  
Rated temperature  $t_a = 25$  °C  
Ambient temperature  $t_{a,max} = 50$  °C

**88 063 K4**

Module designation LED-0833/840  
Colour temperature 4000 K  
Colour rendering index CRI > 80  
Module luminous flux 2010 lm  
Luminaire luminous flux 1117 lm  
Luminaire luminous efficiency 85,9 lm/W

**88 063 K3**

Module designation LED-0833/830  
Colour temperature 3000 K  
Colour rendering index CRI > 80  
Module luminous flux 1830 lm  
Luminaire luminous flux 1017 lm  
Luminaire luminous efficiency 78,2 lm/W

For special lighting applications, it is possible to alter the symmetrical light cone to create wide beam or flat beam light distribution by changing the cover glass.

**Inrush current**

Inrush current: 8 A / 100  $\mu$ s  
Maximum number of luminaires of this type per miniature circuit breaker:  
B 10A: 13 luminaires  
B 16A: 22 luminaires  
C 10A: 13 luminaires  
C 16A: 22 luminaires

**Light technique**

Luminaire data for the light planning program DIALux for outdoor lighting, street lighting and indoor lighting as well as luminaire data in EULUMDAT- and IES-format you will find on the BEGA web page [www.bega.com](http://www.bega.com).

**Service life of the LED**

Ambient temperature  $t_a = 25$  °C  
– at 487,000h: L70B50

max. ambient temperature  $t_a = 50$  °C  
– at 107,000h: L70B50

**Article No. 88 063**

LED colour temperature optionally 4000 K or 3000 K  
4000 K – Article number + **K4**  
3000 K – Article number + **K3**

Colour graphite or silver  
graphite – article number  
silver – article number + **A**

**Accessories**

**10047** Exchangeable lens wide beam  
**10016** Exchangeable lens flat beam

For the accessories a separate instructions for use can be provided upon request.

**Light distribution**