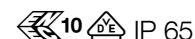


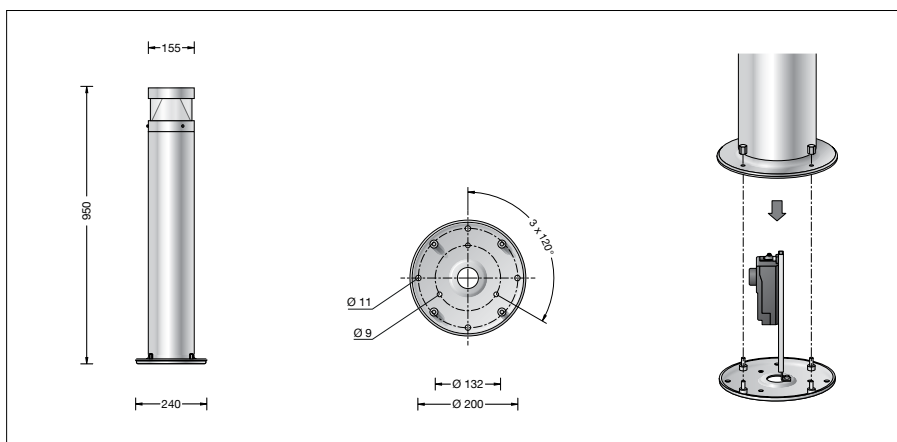
BEGA**88 060**

Bollard



Project · Reference number

Date



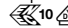
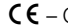
Product data sheet

Application

Shielded LED bollard made of stainless steel with rotationally symmetrical light distribution. For the illumination of walkways, entrances and access roads.

The light of the LED is directed by a reflector onto a conical reflector. Illumination on the illuminated surface is rotationally symmetrical, broad spread and uniform.

Product description

Luminaire made of stainless steel
 Steel grade no. 1.4401
 Borosilicate glass
 Silicone gasket
 Reflector made of pure anodised aluminium
 Reflector made of stainless steel - blasted
 Luminaire with mounting plate for bolting onto a foundation or an anchorage unit
 Mounting plate with holes
 4 holes \varnothing 11 mm Pitch circle \varnothing 200 mm
 3 holes \varnothing 9 mm Pitch circle \varnothing 132 mm
 Mounting bracket with connection box 70 632 for through-wiring – for 2 cables up to 5×4^2 with fuse Neozed D 01 · 6 A
 LED power supply unit
 220-240 V \sim 0/50-60 Hz
 DC 176-264 V
 Safety class I
 Protection class IP 65
 Dust-tight and protection against water jets
 Impact strength IK05
 Protection against mechanical impacts < 0.7 joule
 – Safety mark
 – Conformity mark
 Weight: 12.0 kg

Lamp

Module connected wattage 7.9 W
 Luminaire connected wattage 9.1 W
 Rated temperature $t_a = 25^\circ\text{C}$
 Ambient temperature $t_{a\text{max}} = 45^\circ\text{C}$

On request we can offer you modifications for environments with higher temperatures as a customized product.

88 060 K3

Module designation LED-0382/830
 Colour temperature 3000 K
 Colour rendering index CRI > 80
 Module luminous flux 1185 lm
 Luminaire luminous flux 766 lm
 Luminaire luminous efficiency 84,2 lm/W

88 060 K4

Module designation LED-0382/840
 Colour temperature 4000 K
 Colour rendering index CRI > 80
 Module luminous flux 1185 lm
 Luminaire luminous flux 766 lm
 Luminaire luminous efficiency 84,2 lm/W

Lifetime of the LED

Ambient temperature $t_a = 25^\circ\text{C}$
 – at > 500,000h: L 70 B 50

max. ambient temperature $t_a = 45^\circ\text{C}$
 – at 222,000h: L 70 B 50

Inrush current

Inrush current: 11 A / 112 μs

Maximum number of luminaires of this type per miniature circuit breaker:

B 10A: 34 luminaires
 B 16A: 55 luminaires
 C 10A: 57 luminaires
 C 16A: 92 luminaires

Light technique

Luminaire data for the light planning program DIALux for outdoor lighting, street lighting and indoor lighting as well as luminaire data in EULUMDAT- and IES-format you will find on the BEGA web page www.bega.com.

Article No. 88 060

LED colour temperature optionally 3000 K or 4000 K
 3000 K – Article number + **K3**
 4000 K – Article number + **K4**

Accessory

70 896 Anchorage unit
 Anchorage unit with mounting flange made of hot-dip galvanised steel. Total length 500 mm. 3 stainless steel fixing screws M 8. Pitch circle \varnothing 132 mm.

See the separate instructions for use.

Light distribution