

BEGA**84 679**

Modular light building element

Project · Reference number

Date

Product data sheet

Application

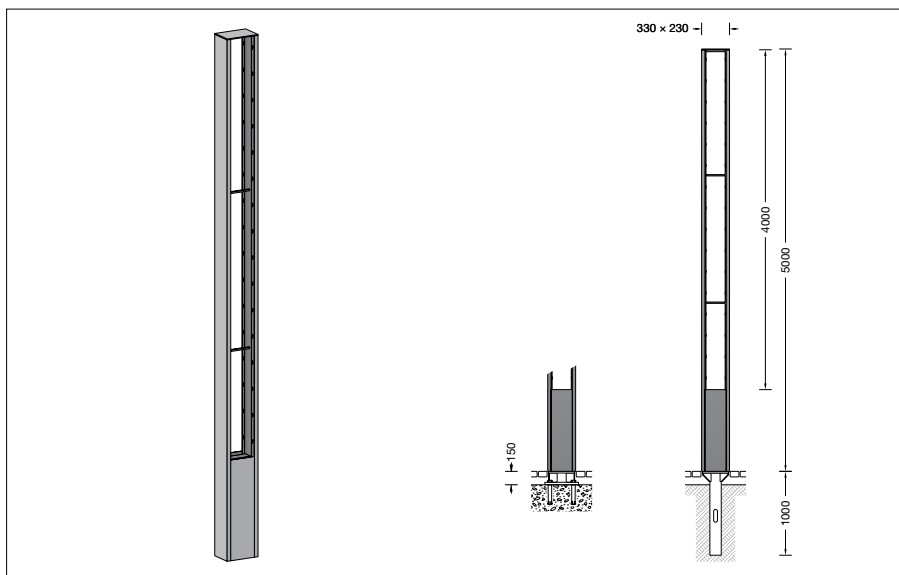
Modular LED light building element with light emission optionally on one or two sides. LED lighting modules can be selected as primary lighting elements in three lengths and combined with one another.

The light building element can also be fitted with additional functions. A WiFi module with aerial unit, adjustable LED floodlights for illuminating architectural details, cameras, sound modules with integrated invisible flat-panel loudspeakers, and lighting modules with various lighting characteristics are available for this.

The individual configuration is done with the help of an online configurator on the BEGA website.

Product description

Luminaire made of aluminium alloy, aluminium and stainless steel
 BEGA Unidure® coating technology
 Fixing of the light building element with anchorage unit **71 091** or mounting base **71 092** for bolting onto a foundation (see accessories)
 C-clamp with earth clamp 16[□] and 2 sliding nuts M6 with built-in connection box 70647 for through-wiring – for 3 cables up to 5 × 16[□] with three fuses Neozed D 01 · 6 A
 CE – Conformity mark
 Wind catching area: 1.65 m²
 Weight: 102.9 kg



Accessories

- 71 091** Anchorage unit
71 092 Mounting base

A separate instructions for use can be provided upon request.