

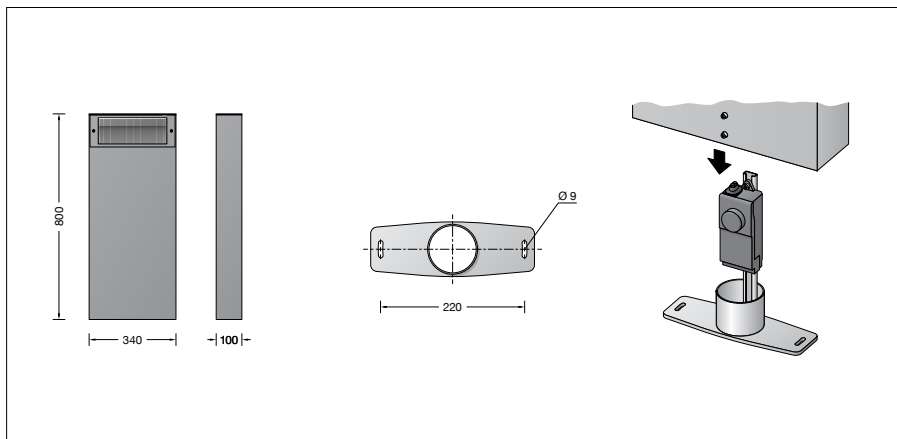
BEGA**84 674**

Bollard



Project · Reference number

Date



Product data sheet

Application

LED bollard with single sided light output and flat beam light distribution. The light is directed downwards and is shielded above the horizontal. For broad spread and uniform illumination of surfaces and paths.

Product description

Luminaire made of aluminium alloy, aluminium and stainless steel
 BEGA Unidure® coating technology
 Safety glass, white
 Silicone gasket
 Luminaire with mounting plate for bolting onto a foundation or an anchorage unit
 Mounting plate with 2 elongated holes
 Width 9 mm · 220 mm spacing
 Mounting bracket with connection box 70 632 for through-wiring – for 2 cables up to 5 × 4[□] with fuse Neozed D 01 · 6 A
 LED power supply unit
 220-240 V ~ 0/50-60 Hz
 DC 176-280 V
 DALI controllable
 A basic isolation exists between power cable and control line
 BEGA Thermal Switch®
 Temporary thermal shutdown to protect temperature-sensitive components
 Safety class I
 Protection class IP 65
 Dust-tight and protection against water jets
 Impact strength IK08
 Protection against mechanical impacts < 5 joule
 – Safety mark
 – Conformity mark
 Weight: 12.1 kg

Lamp

Module connected wattage	12.3 W
Luminaire connected wattage	14.5 W
Rated temperature	$t_a = 25\text{ °C}$
Ambient temperature	$t_{a\text{ max}} = 30\text{ °C}$

On request we can offer you modifications for environments with higher temperatures as a customized product.

84 674 K3

Module designation	LED-0575/830
Colour temperature	3000 K
Colour rendering index	CRI > 80
Module luminous flux	1695 lm
Luminaire luminous flux	1024 lm
Luminaire luminous efficiency	70,6 lm/W

84 674 K4

Module designation	LED-0575/840
Colour temperature	4000 K
Colour rendering index	CRI > 80
Module luminous flux	1695 lm
Luminaire luminous flux	1024 lm
Luminaire luminous efficiency	70,6 lm/W

Service life · Ambient temperature

Rated temperature $t_a = 25\text{ °C}$	
LED psu:	> 50,000 h
LED module:	171,000 h (L80 B50)
Ambient temperature $t_{a\text{ max}} = 30\text{ °C}$ (100 %)	
LED psu:	50,000 h
LED module:	125,000 h (L80 B50)

Inrush current

Inrush current: 5 A / 50 μ s
 Maximum number of luminaires of this type per miniature circuit breaker:

B 10A:	31 luminaires
B 16A:	50 luminaires
C 10A:	52 luminaires
C 16A:	85 luminaires

Light technique

Luminaire data for the light planning program DIALux for outdoor lighting, street lighting and indoor lighting as well as luminaire data in EULUMDAT- and IES-format you will find on the BEGA web page www.bega.com.

Article No. 84 674

LED colour temperature optionally 3000 K or 4000 K
 3000 K – Article number + **K3**
 4000 K – Article number + **K4**

Colour graphite or silver
 graphite – article number
 silver – article number + **A**

Accessories

71 890 Anchorage unit
 Anchorage unit with mounting flange made of galvanised steel. Total length 400 mm. 2 stainless steel fixing screws M 8. 220 mm spacing

For the accessories a separate instructions for use can be provided upon request.

Light distribution

