

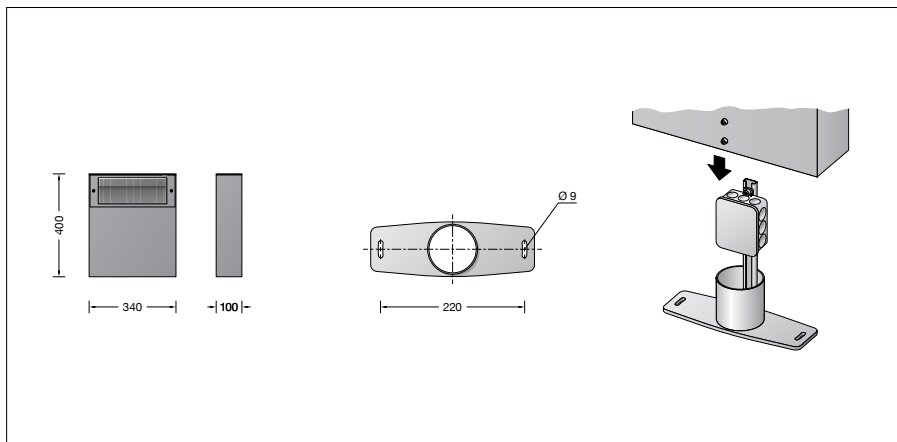
**BEGA****84 673**

Bollard



Project · Reference number

Date

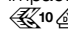
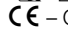


## Product data sheet

### Application

LED bollard with single sided light output and flat beam light distribution. The light is directed downwards and is shielded above the horizontal. For broad spread and uniform illumination of surfaces and paths.

### Product description

Luminaire made of aluminium alloy, aluminium and stainless steel  
 BEGA Unidure® coating technology  
 Safety glass, white  
 Silicone gasket  
 Luminaire with mounting plate for bolting onto a foundation or an anchorage unit  
 Mounting plate with 2 elongated holes  
 Width 9 mm · 220 mm spacing  
 Mounting bracket with connection box for through-wiring of up to 5 × 2,5<sup>2</sup>  
 LED power supply unit  
 220-240 V ~ 0/50-60 Hz  
 DC 176-280 V  
 DALI controllable  
 A basic isolation exists between power cable and control line  
 BEGA Thermal Switch®  
 Temporary thermal shutdown to protect temperature-sensitive components  
 Safety class I  
 Protection class IP 65  
 Dust-tight and protection against water jets  
 Impact strength IK08  
 Protection against mechanical impacts < 5 joule  
 – Safety mark  
 – Conformity mark  
 Weight: 8.0 kg

### Lamp

Module connected wattage	12.3 W
Luminaire connected wattage	14.5 W
Rated temperature	$t_a = 25\text{ °C}$
Ambient temperature	$t_{a\text{ max}} = 30\text{ °C}$

On request we can offer you modifications for environments with higher temperatures as a customized product.

### 84 673 K3

Module designation	LED-0575/830
Colour temperature	3000 K
Colour rendering index	CRI > 80
Module luminous flux	1695 lm
Luminaire luminous flux	1024 lm
Luminaire luminous efficiency	70,6 lm/W

### 84 673 K4

Module designation	LED-0575/840
Colour temperature	4000 K
Colour rendering index	CRI > 80
Module luminous flux	1695 lm
Luminaire luminous flux	1024 lm
Luminaire luminous efficiency	70,6 lm/W

### Service life · Ambient temperature

Rated temperature $t_a = 25\text{ °C}$	
LED psu:	> 50,000h
LED module:	171,000h (L80B50)
Ambient temperature $t_{a\text{ max}} = 30\text{ °C}$ (100 %)	
LED psu:	50,000h
LED module:	125,000h (L80B50)

### Inrush current

Inrush current: 5 A / 50  $\mu$ s  
 Maximum number of luminaires of this type per miniature circuit breaker:

B 10A:	31 luminaires
B 16A:	50 luminaires
C 10A:	52 luminaires
C 16A:	85 luminaires

### Light technique

Luminaire data for the light planning program DIALux for outdoor lighting, street lighting and indoor lighting as well as luminaire data in EULUMDAT- and IES-format you will find on the BEGA web page [www.bega.com](http://www.bega.com).

### Article No. 84 673

LED colour temperature optionally 3000 K or 4000 K  
 3000 K – Article number + **K3**  
 4000 K – Article number + **K4**

Colour graphite or silver  
 graphite – article number  
 silver – article number + **A**

### Accessories

**71 890** Anchorage unit  
 Anchorage unit with mounting flange made of galvanised steel. Total length 400 mm. 2 stainless steel fixing screws M 8. 220 mm spacing

For the accessories a separate instructions for use can be provided upon request.

### Light distribution

