

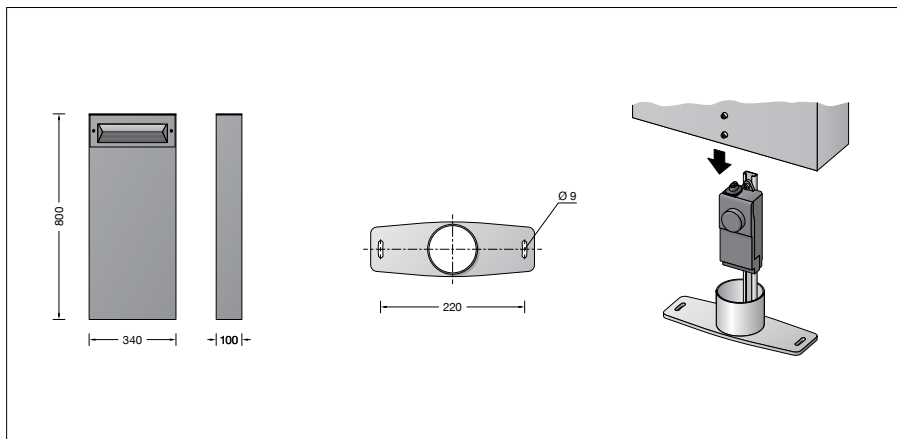
BEGA**84 672**

Bollard



Project · Reference number

Date



Product data sheet

Application

LED bollard with single sided light output.
Light output directed downwards.
For glarefree lighting of squares, entrances and wide footpaths in private and public areas.

Product description

Luminaire made of aluminium alloy,
aluminium and stainless steel
BEGA Unidure® coating technology
Safety glass, white
Silicone gasket
Luminaire with mounting plate for bolting onto a
foundation or an anchorage unit
Mounting plate with 2 elongated holes
Width 9 mm · 220 mm spacing
Mounting bracket with connection box 70 632
for through-wiring – for 2 cables up to 5 × 4[□]
with fuse Neozed D 01 · 6 A
LED power supply unit
220-240 V ~ 0/50-60 Hz
DC 176-280 V
DALI controllable
A basic isolation exists between power cable
and control line
BEGA Thermal Switch®
Temporary thermal shutdown to protect
temperature-sensitive components
Safety class I
Protection class IP 65
Dust-tight and protection against water jets
Impact strength IK10
Protection against mechanical
impacts < 20 joule
 – Safety mark
 – Conformity mark
Weight: 12.1 kg

Service life · Ambient temperature

Rated temperature $t_a = 25\text{ °C}$
LED psu: > 50,000h
LED module: 91,000h (L 80 B 50)
100,000h (L 70 B 50)

Ambient temperature $t_{a\text{ max}} = 35\text{ °C}$ (100 %)
LED psu: 50,000h
LED module: 51,000h (L 80 B 50)
77,000h (L 70 B 50)

Lamp

Module connected wattage 12.3 W
Luminaire connected wattage 14.5 W
Rated temperature $t_a = 25\text{ °C}$
Ambient temperature $t_{a\text{ max}} = 35\text{ °C}$

On request we can offer you modifications for
enviroments with higher temperatures as a
customized product.

84 672 K3

Module designation LED-0572/830
Colour temperature 3000 K
Colour rendering index CRI > 80
Module luminous flux 1695 lm
Luminaire luminous flux 1100 lm
Luminaire luminous efficiency 75,9 lm/W

84 672 K4

Module designation LED-0572/840
Colour temperature 4000 K
Colour rendering index CRI > 80
Module luminous flux 1695 lm
Luminaire luminous flux 1100 lm
Luminaire luminous efficiency 75,9 lm/W

Inrush current

Inrush current: 5 A / 50 μ s
Maximum number of luminaires of this
type per miniature circuit breaker:
B 10A: 31 luminaires
B 16A: 50 luminaires
C 10A: 52 luminaires
C 16A: 85 luminaires

Light technique

Luminaire data for the light planning program
DIALux for outdoor lighting, street lighting and
indoor lighting as well as luminaire data in
EULUMDAT- and IES-format you will find on the
BEGA web page www.bega.com.

Article No. 84 672

LED colour temperature optionally 3000 K
or 4000 K
3000 K – Article number + **K3**
4000 K – Article number + **K4**

Colour graphite or silver
graphite – article number
silver – article number + **A**

Accessories

71 890 Anchorage unit
Anchorage unit with mounting flange made
of galvanised steel. Total length 400 mm.
2 stainless steel fixing screws M 8.
220 mm spacing

For the accessories a separate instructions
for use can be provided upon request.

Light distribution