

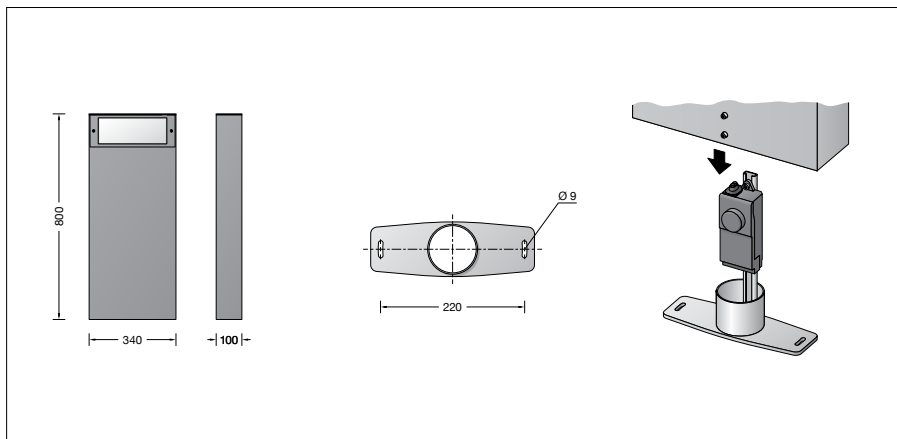
BEGA**84 670**

Bollard



Project · Reference number

Date





Product data sheet

Application

LED bollard with single sided light output and unshielded light distribution.
For areal illumination of pathways, access road and squares.

Product description

Luminaire made of aluminium alloy, aluminium and stainless steel
BEGA Unidure® coating technology
Safety glass, white
Silicone gasket
Luminaire with mounting plate for bolting onto a foundation or an anchorage unit
Mounting plate with 2 elongated holes
Width 9 mm · 220 mm spacing
Mounting bracket with connection box 70 632 for through-wiring – for 2 cables up to 5 × 4[□] with fuse Neozed D 01 · 6 A
LED power supply unit
220-240 V ~ 0/50-60 Hz
DC 176-280 V
DALI controllable
A basic isolation exists between power cable and control line
BEGA Thermal Switch®
Temporary thermal shutdown to protect temperature-sensitive components
Safety class I
Protection class IP 65
Dust-tight and protection against water jets
Impact strength IK06
Protection against mechanical impacts < 1 joule
 – Safety mark
 – Conformity mark
Weight: 12.1 kg

Lamp

Module connected wattage 12.3 W
Luminaire connected wattage 14.5 W
Rated temperature $t_a = 25\text{ °C}$
Ambient temperature $t_{a\text{max}} = 35\text{ °C}$

On request we can offer you modifications for environments with higher temperatures as a customized product.

84 670 K3

Module designation LED-0566/830
Colour temperature 3000 K
Colour rendering index CRI > 80
Module luminous flux 1695 lm
Luminaire luminous flux 907 lm
Luminaire luminous efficiency 62,6 lm/W

84 670 K4

Module designation LED-0566/840
Colour temperature 4000 K
Colour rendering index CRI > 80
Module luminous flux 1695 lm
Luminaire luminous flux 907 lm
Luminaire luminous efficiency 62,6 lm/W

Service life · Ambient temperature

Rated temperature $t_a = 25\text{ °C}$
LED psu: > 50,000 h
LED module: > 200,000 h (L80 B50)
100,000 h (L90 B50)
Ambient temperature $t_{a\text{max}} = 35\text{ °C}$ (100 %)
LED psu: 50,000 h
LED module: 195,000 h (L80 B50)
100,000 h (L90 B50)

Inrush current

Inrush current: 5 A / 50 μ s
Maximum number of luminaires of this type per miniature circuit breaker:
B 10A: 31 luminaires
B 16A: 50 luminaires
C 10A: 52 luminaires
C 16A: 85 luminaires

Light technique

Luminaire data for the light planning program DIALux for outdoor lighting, street lighting and indoor lighting as well as luminaire data in EULUMDAT- and IES-format you will find on the BEGA web page www.bega.com.

Article No. 84 670

LED colour temperature optionally 3000 K or 4000 K
3000 K – Article number + **K3**
4000 K – Article number + **K4**

Colour graphite or silver
graphite – article number
silver – article number + **A**

Accessories

71 890 Anchorage unit
Anchorage unit with mounting flange made of galvanised steel. Total length 400 mm.
2 stainless steel fixing screws M 8.
220 mm spacing

For the accessories a separate instructions for use can be provided upon request.

Light distribution