

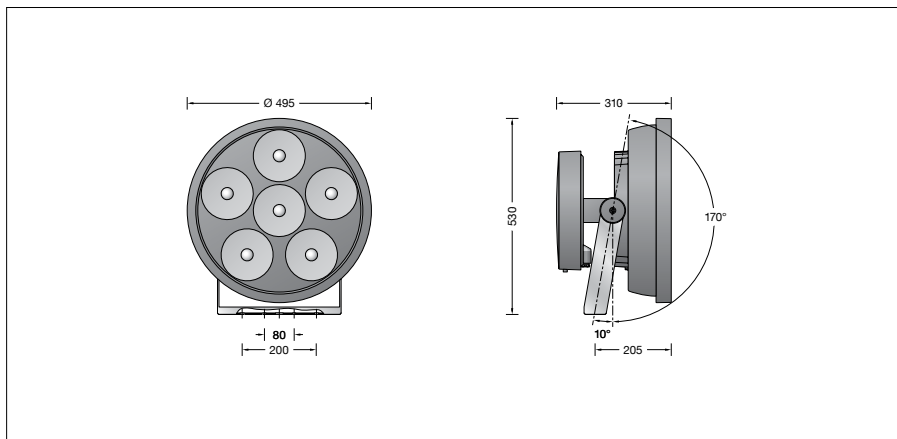
**BEGA****84 553**

High-performance floodlight RGBW



Project · Reference number

Date



## Product data sheet

### Application

LED high-performance floodlight with wide beam light distribution for additive colour mixing RGBW.

The floodlight can be controlled by DALI colour light control (DT8, RGBWAF, xy).

We recommend our BEGA Control system for this purpose.

### Product description

Floodlight made of aluminium alloy, aluminium and stainless steel

BEGA Unidure® coating technology

Clear safety glass

Silicone gasket

Reflector surface made of pure aluminium

Swivel range  $-10^{\circ}/+170^{\circ}$

Mounting bracket made of stainless steel

Steel grade no. 1.4301 with

1 central drilling  $\varnothing$  22 mm and

2 fixing holes  $\varnothing$  9 mm · 80 mm spacing

2 fixing holes  $\varnothing$  11.5 mm · 200 mm spacing

1 screw cable gland for mains supply cable from  $\varnothing$  7,5-15 mm

Integrated changeover switch for the limitation of the luminous flux to 70 % · 50 % · 30 %

LED power supply unit

220-240 V  $\sim$  0/50-60 Hz

DC 176-264 V

DALI controllable

A basic isolation exists between power cable and control line

Safety class I

Protection class IP 67

Dust-tight and protection against temporary immersion

Impact strength IK08

Protection against mechanical

impacts < 5 joule

– Safety mark

– Conformity mark

Wind catching area: 0.2 m<sup>2</sup>

Weight: 21.2 kg

### Lamp

Module connected wattage 236.4 W

Luminaire connected wattage 260 W

Rated temperature  $t_a = 25^{\circ}\text{C}$

Ambient temperature  $t_{a,max} = 45^{\circ}\text{C}$

Module designation 6x LED-0871/RGBW

Luminaire luminous flux 16049 lm

Luminaire luminous efficiency 61,7 lm/W

### Service life of the LED

Ambient temperature  $t_a = 25^{\circ}\text{C}$

– at 270,000h: L70B50

max. ambient temperature  $t_a = 45^{\circ}\text{C}$

– at 180,000h: L70B50

### Light technique

Symmetrical wide beam light distribution

Half beam angle  $47^{\circ}$

Luminaire data for the light planning program

DIALux for outdoor lighting, street lighting and

indoor lighting, as well as luminaire data in

EULUMDAT and IES format are available on the BEGA website at [www.bega.com](http://www.bega.com).

### Inrush current

Inrush current: 8 A / 100  $\mu\text{s}$

Maximum number of luminaires of this

type per miniature circuit breaker:

B10A: 5 luminaires

B16A: 8 luminaires

C10A: 5 luminaires

C16A: 8 luminaires

### Accessories

Mounting box and mounting base for permanent mounting of floodlights on pillars, walls and ceilings

**70 225** Mounting box IP 65

**70 348** Mounting box IP 55

**70 208** Mounting base h = 120 mm

Pole caps for mounting a floodlight on a pole

**70 342** Pole cap for  $\varnothing$  76 mm

**70 343** Pole cap for  $\varnothing$  89 mm

Outrigger arm for the installation of one floodlight at BEGA steel poles or on walls

**70 391** Outrigger arm

Pole caps for mounting 1-2 outrigger arms on top of a steel pole

**70 387** Pole cap for pole  $\varnothing$  76 mm

**70 388** Pole cap for pole  $\varnothing$  89 mm

Pole top attachments for multi-arrangement of floodlights on a steel pole

**70 762** Pole top attach. for 2 floodlights

**70 763** Pole top attach. for 3 floodlights

**70 764** Pole top attach. for 4 floodlights

Cross beams for floodlights for mounting on walls, under ceilings or on the floor

**70 761** Cross beam for 3 floodlights

**70 765** Cross beam for 6 floodlights

**71 071** Fixing of floodlight

**71 101** Shield

The shield can be screwed on and prevents lateral glare from one direction up to an angle of  $45^{\circ}$ .

For the accessories a separate instructions for use can be provided upon request.