

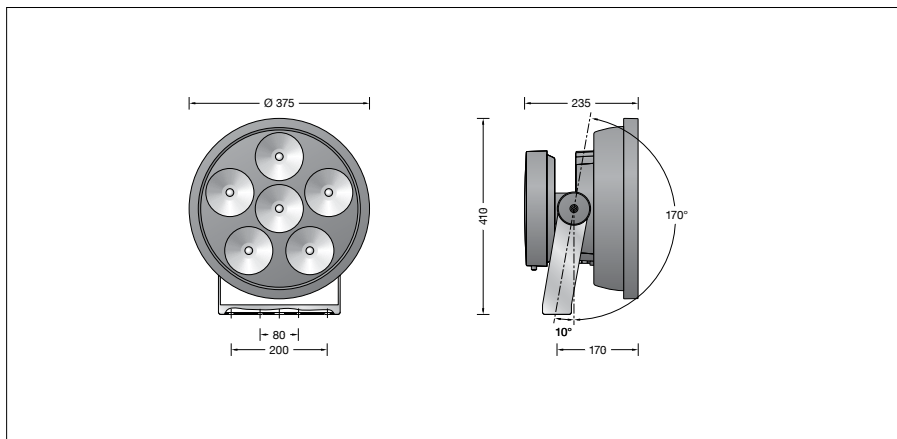
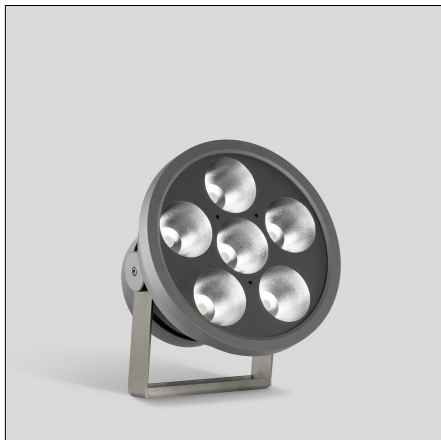
BEGA**84 552**

High-performance floodlight RGBW



Project · Reference number

Date



Product data sheet

Application

LED high-performance floodlight with wide beam light distribution for additive colour mixing RGBW. The floodlight can be controlled by DALI colour light control (DT8, RGBWAF, xy). We recommend our BEGA Control system for this purpose.

Product description

Floodlight made of aluminium alloy, aluminium and stainless steel
Clear safety glass
Silicone gasket
Reflector surface made of pure aluminium
Swivel range $-10^{\circ}/+170^{\circ}$
Mounting bracket made of stainless steel
Steel grade no. 1.4301 with
1 central drilling $\varnothing 22$ mm and
2 fixing holes $\varnothing 9$ mm · 80 mm spacing
2 fixing holes $\varnothing 11.5$ mm · 200 mm spacing
1 screw cable gland for mains supply cable from $\varnothing 7.5$ -15 mm
Integrated changeover switch for the limitation of the luminous flux to 70 % · 50 % · 30 %
LED power supply unit
220-240 V \sim 0/50-60 Hz
DC 176-264 V
DALI controllable
A basic isolation exists between power cable and control line
Safety class I
Protection class IP 67
Dust-tight and protection against temporary immersion
Impact strength IK10
Protection against mechanical impacts < 20 joule
 – Safety mark
CE – Conformity mark
Wind catching area: 0.12 m²
Weight: 11.6 kg

Lamp

Module connected wattage	120 W
Luminaire connected wattage	132 W
Rated temperature	$t_a = 25^{\circ}\text{C}$
Ambient temperature	$t_{a\text{max}} = 45^{\circ}\text{C}$

Module designation	6x LED-0869/RGBW
Module luminous flux	11340 lm
Luminaire luminous flux	8335 lm
Luminaire luminous efficiency	63,1 lm/W

Service life of the LED

Ambient temperature $t_a = 25^{\circ}\text{C}$
– at 340,000 h: L70 B50

max. ambient temperature $t_a = 45^{\circ}\text{C}$
– at 230,000 h: L70 B50

Ambient temperature $t_{a\text{max}} = 50^{\circ}\text{C}$ (80 %)
LED psu: 50,000 h
LED module: 50,000 h

BEGA Thermal Control® protects temperature-sensitive luminaire components by temporarily limiting the nominal power at high temperatures.

Light technique

Symmetrical wide beam light distribution
Half beam angle 47°
Luminaire data for the light planning program DIALux for outdoor lighting, street lighting and indoor lighting, as well as luminaire data in EULUMDAT and IES format are available on the BEGA website at www.bega.com.

Accessories

Mounting box and mounting base for permanent mounting of floodlights on pillars, walls and ceilings

70 225 Mounting box IP 65

70 348 Mounting box IP 55

70 208 Mounting base h = 120 mm

Pole caps for mounting a floodlight on a pole

70 342 Pole cap for $\varnothing 76$ mm

70 343 Pole cap for $\varnothing 89$ mm

Outrigger arm for the installation of one floodlight at BEGA steel poles or on walls
70 391 Outrigger arm

Pole caps for mounting 1-2 outrigger arms on top of a steel pole

70 387 Pole cap for pole $\varnothing 76$ mm

70 388 Pole cap for pole $\varnothing 89$ mm

Pole top attachments for multi-arrangement of floodlights on a steel pole

70 762 Pole top attach. for 2 floodlights

70 763 Pole top attach. for 3 floodlights

70 764 Pole top attach. for 4 floodlights

Cross beams for floodlights for mounting on walls, under ceilings or on the floor

70 761 Cross beam for 3 floodlights

70 765 Cross beam for 6 floodlights

71 071 Fixing of floodlight

71 110 Shield

The shield can be screwed on and prevents lateral glare from one direction up to an angle of 45° .

For the accessories a separate instructions for use can be provided upon request.