

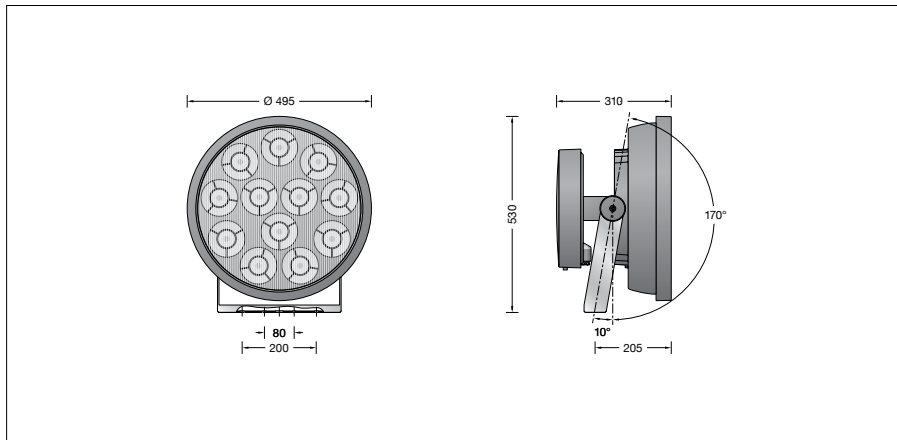
BEGA**84 543**

High-performance floodlight



Project · Reference number

Date



Product data sheet

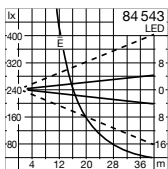
Application

LED high-performance floodlight with flat beam light distribution. For a variety of interior and exterior lighting applications.

Product description

Floodlight made of aluminium alloy, aluminium and stainless steel
 BEGA Unidure® coating technology
 Safety glass with optical structure
 Silicone gasket
 Reflector surface made of pure aluminium with integral silicone lens · BEGA Hybrid Optics® and louvre
 Swivel range $-10^{\circ}/+170^{\circ}$
 Mounting bracket made of stainless steel
 Steel grade no. 1.4301 with
 1 central drilling \varnothing 22 mm and
 2 fixing holes \varnothing 9 mm · 80 mm spacing
 2 fixing holes \varnothing 11.5 mm · 200 mm spacing
 1 screw cable gland for mains supply cable from \varnothing 7,5-12 mm
 Integrated changeover switch for the limitation of the luminous flux to 70 % · 50 % · 30 %
 LED power supply unit
 220-240 V \sim 0/50-60 Hz
 DC 176-288 V
 During DC operation the LED power is reduced to 50 %
 DALI controllable
 or dimmable 1-10 V
 BEGA Thermal Control®
 Temporary thermal regulation to protect temperature-sensitive components without switching off the luminaire
 Safety class I
 Protection class IP 67
 Dust-tight and protection against temporary immersion
 Impact strength IK09
 Protection against mechanical impacts < 10 joule
 – Safety mark
 – Conformity mark
 Wind catching area: 0.2 m²
 Weight: 21.8 kg

Light distribution



Lamp

Module connected wattage	300 W
Luminaire connected wattage	323 W
Rated temperature	$t_a = 25^{\circ}\text{C}$
Ambient temperature	$t_{a\text{max}} = 40^{\circ}\text{C}$

On request we can offer you modifications for environments with higher temperatures as a customized product.

84 543 K4

Module designation	3x LED-0699/840 + LED-0698/840
Colour temperature	4000 K
Colour rendering index	CRI > 80
Module luminous flux	47460 lm
Luminaire luminous flux	14870 lm
Luminaire luminous efficiency	46 lm/W

84 543 K3

Module designation	3x LED-0699/830 + LED-0698/830
Colour temperature	3000 K
Colour rendering index	CRI > 80
Module luminous flux	46020 lm
Luminaire luminous flux	14419 lm
Luminaire luminous efficiency	44,6 lm/W

84 543 K2

Module designation	3x LED-0699/622 + LED-0698/622
Colour temperature	2200 K
Colour rendering index	CRI > 65
Module luminous flux	44580 lm
Luminaire luminous flux	13968 lm
Luminaire luminous efficiency	43,2 lm/W

Service life of the LED

Ambient temperature $t_a = 25^{\circ}\text{C}$
 – at 170,000h: L70B50

max. ambient temperature $t_a = 40^{\circ}\text{C}$
 – at 120,000h: L70B50

Light technique

Floodlight with rotationally symmetrical reflector and flat beam light distribution.
 Half beam angle $11/54^{\circ}$

Wide flat beam light distribution is achieved in the vertical plane of the fluted glass, a narrow beam light distribution in the horizontal plane. This results in different half beam angles. The safety glass with inlying fluted structure has to be turned in such way that its grooves are vertically adjusted to the longest axis of the floodlight object.

Article No. 84 543

Colour temperature 4000 K.
 Also available with 3000 K or 2200K on request.
 4000 K – article number + **K4**
 3000 K – article number + **K3**
 2200 K – article number + **K2**

Article No. 84 543

LED colour temperature optionally 4000K or 3000K
 4000 K – Article number + **K4**
 3000 K – Article number + **K3**

Accessories

Mounting box and mounting base for permanent mounting of floodlights on pillars, walls and ceilings
70 225 Mounting box IP 65
70 348 Mounting box IP 55
70 208 Mounting base h = 120 mm

Pole caps for mounting a floodlight on a pole

70 342 Pole cap for \varnothing 76 mm
70 343 Pole cap for \varnothing 89 mm

Outrigger arm for the installation of one floodlight at BEGA steel poles or on walls
70 391 Outrigger arm

Pole caps for mounting 1-2 outrigger arms on top of a steel pole

70 387 Pole cap for pole \varnothing 76 mm
70 388 Pole cap for pole \varnothing 89 mm

Pole top attachments for multi-arrangement of floodlights on a steel pole

70 762 Pole top attach. for 2 floodlights
70 763 Pole top attach. for 3 floodlights
70 764 Pole top attach. for 4 floodlights

Cross beams for floodlights for mounting on walls, under ceilings or on the floor

70 761 Cross beam for 3 floodlights
70 765 Cross beam for 6 floodlights

71 071 Fixing of floodlight

71 101 Shield

The shield can be screwed on and prevents lateral glare from one direction up to an angle of 45° .

For the accessories a separate instructions for use can be provided upon request.