

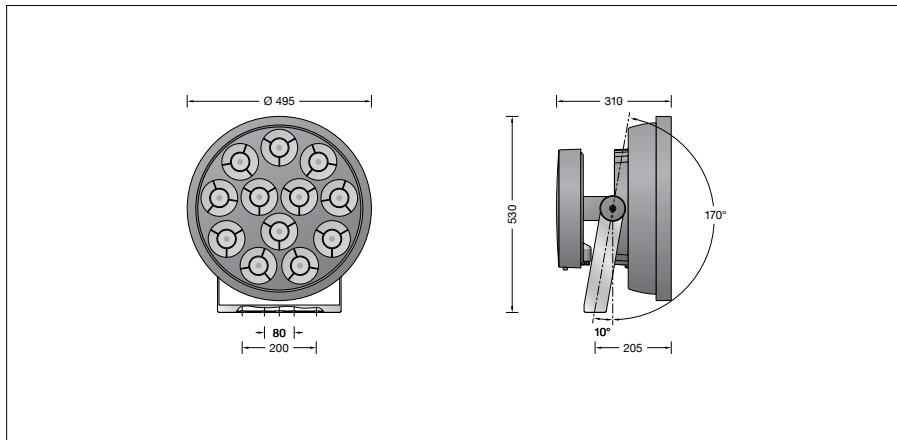
BEGA**84 540**

High-performance floodlight



Project · Reference number

Date



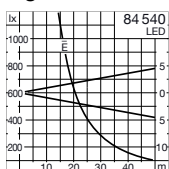
Product data sheet

Application

LED high-performance floodlight with very narrow beam light distribution. For a variety of interior and exterior lighting applications.

Product description

Floodlight made of aluminium alloy, aluminium and stainless steel
 BEGA Unidure® coating technology
 Clear safety glass
 Silicone gasket
 Reflector surface made of pure aluminium with integral silicone lens · BEGA Hybrid Optics® and louvre
 Swivel range $-10^{\circ}/+170^{\circ}$
 Mounting bracket made of stainless steel
 Steel grade no. 1.4301 with
 1 central drilling \varnothing 22 mm and
 2 fixing holes \varnothing 9 mm · 80 mm spacing
 2 fixing holes \varnothing 11.5 mm · 200 mm spacing
 1 screw cable gland for mains supply cable from \varnothing 7,5-12 mm
 Integrated changeover switch for the limitation of the luminous flux to 70 % · 50 % · 30 %
 LED power supply unit
 220-240 V \sim 0/50-60 Hz
 DC 176-288 V
 During DC operation the LED power is reduced to 50 %
 DALI controllable
 or dimmable 1-10 V
 BEGA Thermal Control®
 Temporary thermal regulation to protect temperature-sensitive components without switching off the luminaire
 Safety class I
 Protection class IP 67
 Dust-tight and protection against temporary immersion
 Impact strength IK08
 Protection against mechanical impacts < 5 joule
 – Safety mark
 – Conformity mark
 Wind catching area: 0.2 m²
 Weight: 22.0 kg

Light distribution**Lamp**

Module connected wattage 300 W
 Luminaire connected wattage 323 W
 Rated temperature $t_a = 25^{\circ}\text{C}$
 Ambient temperature $t_{a\text{max}} = 40^{\circ}\text{C}$

On request we can offer you modifications for environments with higher temperatures as a customized product.

84 540 K4

Module designation
 3x LED-0699/840 + LED-0698/840
 Colour temperature 4000 K
 Colour rendering index CRI > 80
 Module luminous flux 47460 lm
 Luminaire luminous flux 14955 lm
 Luminaire luminous efficiency 46,3 lm/W

84 540 K3

Module designation
 3x LED-0699/830 + LED-0698/830
 Colour temperature 3000 K
 Colour rendering index CRI > 80
 Module luminous flux 46020 lm
 Luminaire luminous flux 14501 lm
 Luminaire luminous efficiency 44,9 lm/W

84 540 K2

Module designation
 3x LED-0699/622 + LED-0698/622
 Colour temperature 2200 K
 Colour rendering index CRI > 65
 Module luminous flux 44580 lm
 Luminaire luminous flux 14047 lm
 Luminaire luminous efficiency 43,5 lm/W

Service life of the LED

Ambient temperature $t_a = 25^{\circ}\text{C}$
 – at 170,000h: L70B50

max. ambient temperature $t_a = 40^{\circ}\text{C}$
 – at 120,000h: L70B50

Lighting technology

Very narrow beam rotationally symmetrical light distribution.
 Half beam angle 10°

Luminaire data for the light planning program DIALux for outdoor lighting, street lighting and indoor lighting, as well as luminaire data in EULUMDAT and IES format are available on the BEGA website at www.bega.com.

Inrush current

Inrush current: 21 A / 1,900 μs
 Maximum number of luminaires of this type per miniature circuit breaker:
 B 10A: 3 luminaires
 B 16A: 5 luminaires
 C 10A: 6 luminaires
 C 16A: 8 luminaires

Article No. 84 540

Colour temperature 4000 K.
 Also available with 3000 K or 2200K on request.
 4000 K – article number + **K4**
 3000 K – article number + **K3**
 2200 K – article number + **K2**

Accessories

Mounting box and mounting base for permanent mounting of floodlights on pillars, walls and ceilings

70 225 Mounting box IP 65
70 348 Mounting box IP 55
70 208 Mounting base h = 120 mm

Pole caps for mounting a floodlight on a pole

70 342 Pole cap for \varnothing 76 mm
70 343 Pole cap for \varnothing 89 mm

Outrigger arm for the installation of one floodlight at BEGA steel poles or on walls
70 391 Outrigger arm

Pole caps for mounting 1-2 outrigger arms on top of a steel pole

70 387 Pole cap for pole \varnothing 76 mm
70 388 Pole cap for pole \varnothing 89 mm

Pole top attachments for multi-arrangement of floodlights on a steel pole

70 762 Pole top attach. for 2 floodlights
70 763 Pole top attach. for 3 floodlights
70 764 Pole top attach. for 4 floodlights

Cross beams for floodlights for mounting on walls, under ceilings or on the floor

70 761 Cross beam for 3 floodlights
70 765 Cross beam for 6 floodlights

71 071 Fixing of floodlight

71 101 Shield

The shield can be screwed on and prevents lateral glare from one direction up to an angle of 45° .

For the accessories a separate instructions for use can be provided upon request.