

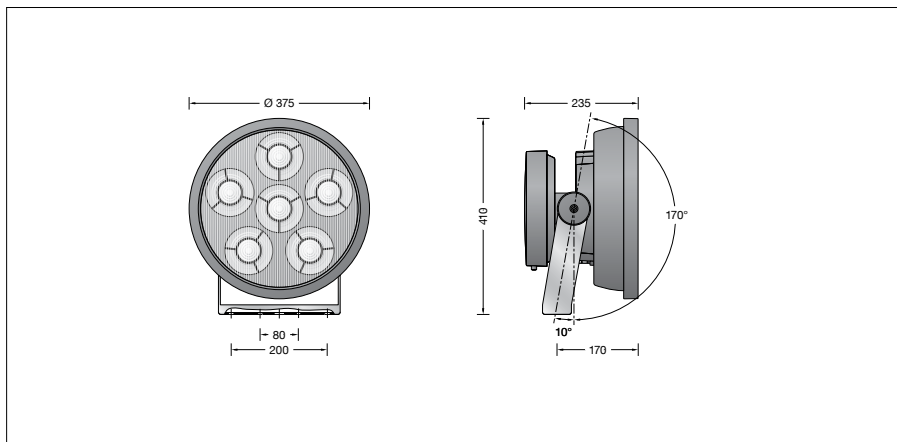
**BEGA****84 539**

High-performance floodlight



Project · Reference number

Date



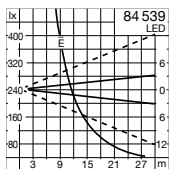
## Product data sheet

**Application**

LED high-performance floodlight with flat beam light distribution. For a variety of interior and exterior lighting applications.

**Product description**

Floodlight made of aluminium alloy, aluminium and stainless steel  
Safety glass with optical structure  
Silicone gasket  
Reflector surface made of pure aluminium with integral silicone lens and louvre  
Swivel range  $-10^{\circ}/+170^{\circ}$   
Mounting bracket made of stainless steel  
Steel grade no. 1.4301 with  
1 central drilling  $\varnothing 22$  mm and  
2 fixing holes  $\varnothing 9$  mm · 80 mm spacing  
2 fixing holes  $\varnothing 11.5$  mm · 200 mm spacing  
1 screw cable gland for mains supply cable from  $\varnothing 7,5$ -12 mm  
Integrated changeover switch for the limitation of the luminous flux to 70 % · 50 % · 30 %  
LED power supply unit  
220-240 V  $\sim$  0/50-60 Hz  
DC 176-288 V  
During DC operation the LED power is reduced to 10 %  
DALI controllable  
or dimmable 1-10 V  
Safety class I  
Protection class IP 67  
Dust-tight and protection against temporary immersion  
Impact strength IK09  
Protection against mechanical impacts < 10 joule  
 – Safety mark  
**CE** – Conformity mark  
Wind catching area: 0.12 m<sup>2</sup>  
Weight: 11.7 kg

**Light distribution****Lamp**

Module connected wattage	122.4 W
Luminaire connected wattage	132 W
Rated temperature	$t_a = 25^{\circ}\text{C}$
Ambient temperature	$t_{a\text{max}} = 45^{\circ}\text{C}$

On request we can offer you modifications for environments with higher temperatures as a customized product.

**84 539 K4**

Module designation	6x LED-0867/840
Colour temperature	4000 K
Colour rendering index	CRI > 80
Module luminous flux	20820 lm
Luminaire luminous flux	7434 lm
Luminaire luminous efficiency	56,3 lm/W

**84 539 K3**

Module designation	6x LED-0867/830
Colour temperature	3000 K
Colour rendering index	CRI > 80
Module luminous flux	20310 lm
Luminaire luminous flux	7121 lm
Luminaire luminous efficiency	53,9 lm/W

**84 539 K2**

Module designation	6x LED-0867/622
Colour temperature	2200 K
Colour rendering index	CRI > 65
Module luminous flux	19590 lm
Luminaire luminous flux	7046 lm
Luminaire luminous efficiency	52,6 lm/W

**Service life · Ambient temperature**

Rated temperature $t_a = 25^{\circ}\text{C}$	
LED psu:	> 50,000h
LED module:	145,000h (L80B50) 100,000h (L80B50)

Ambient temperature  $t_{a\text{max}} = 45^{\circ}\text{C}$  (100 %)

LED psu:	50,000h
LED module:	100,000h (L80B50) 100,000h (L80B50)

**Lighting technology**

Half beam angle  $12/43^{\circ}$   
Luminaire data for the light planning program DIALux for outdoor lighting, street lighting and interior lighting as well as luminaire data in EULUMDAT and IES format are available on our website [www.bega.com](http://www.bega.com).

**Article No. 84 539**

Colour temperature 4000 K.  
Also available with 3000 K or 2200K on request.  
4000 K – article number + **K4**  
3000 K – article number + **K3**  
2200 K – article number + **K2**

**Accessories**

Mounting box and mounting base for permanent mounting of floodlights on pillars, walls and ceilings

**70 225** Mounting box IP 65  
**70 348** Mounting box IP 55  
**70 208** Mounting base h = 120 mm

Pole caps for mounting a floodlight on a pole

**70 342** Pole cap for  $\varnothing 76$  mm  
**70 343** Pole cap for  $\varnothing 89$  mm

Outrigger arm for the installation of one floodlight at BEGA steel poles or on walls  
**70 391** Outrigger arm

Pole caps for mounting 1-2 outrigger arms on top of a steel pole

**70 387** Pole cap for pole  $\varnothing 76$  mm  
**70 388** Pole cap for pole  $\varnothing 89$  mm

Pole top attachments for multi-arrangement of floodlights on a steel pole

**70 762** Pole top attach. for 2 floodlights  
**70 763** Pole top attach. for 3 floodlights  
**70 764** Pole top attach. for 4 floodlights

Cross beams for floodlights for mounting on walls, under ceilings or on the floor

**70 761** Cross beam for 3 floodlights  
**70 765** Cross beam for 6 floodlights

**71 071** Fixing of floodlight

**71 110** Shield

The shield can be screwed on and prevents lateral glare from one direction up to an angle of  $45^{\circ}$ .

For the accessories a separate instructions for use can be provided upon request.