

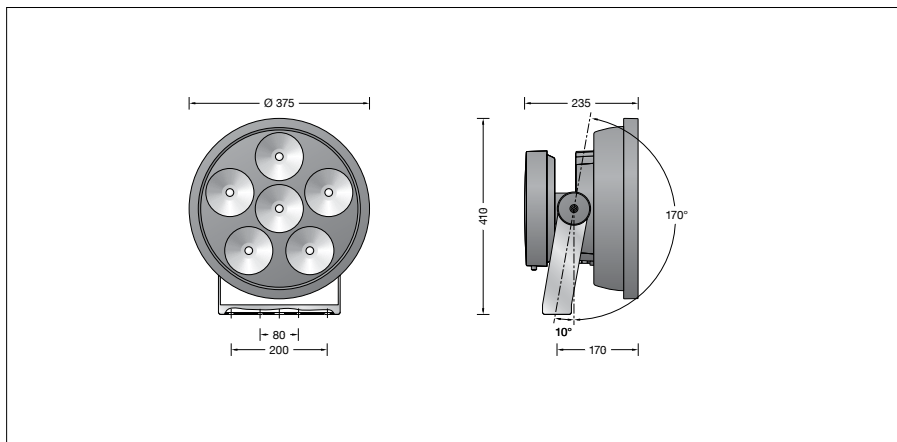
BEGA**84 538**

High-performance floodlight



Project · Reference number

Date



Product data sheet

Application

LED high-performance floodlight with wide beam light distribution. For a variety of interior and exterior lighting applications.

Product description

Floodlight made of aluminium alloy, aluminium and stainless steel
Clear safety glass
Silicone gasket
Reflector surface made of pure aluminium
Swivel range $-10^{\circ}/+170^{\circ}$
Mounting bracket made of stainless steel
Steel grade no. 1.4301 with
1 central drilling \varnothing 22 mm and
2 fixing holes \varnothing 9 mm · 80 mm spacing
2 fixing holes \varnothing 11.5 mm · 200 mm spacing
1 screw cable gland for mains supply cable from \varnothing 7,5-12 mm
Integrated changeover switch for the limitation of the luminous flux to 70 % · 50 % · 30 %
LED power supply unit
220-240 V \sim 0/50-60 Hz
DC 176-288 V
During DC operation the LED power is reduced to 10 %
DALI controllable
or dimmable 1-10 V
Safety class I
Protection class IP 67
Dust-tight and protection against temporary immersion
Impact strength IK10
Protection against mechanical impacts < 20 joule
 – Safety mark
 – Conformity mark
Wind catching area: 0.12 m²
Weight: 9.2 kg

Lamp

Module connected wattage 122.4 W
Luminaire connected wattage 132 W
Rated temperature $t_a = 25^{\circ}\text{C}$
Ambient temperature $t_{a\text{max}} = 45^{\circ}\text{C}$

On request we can offer you modifications for environments with higher temperatures as a customized product.

84 538 K4

Module designation 6x LED-0867/840
Colour temperature 4000 K
Colour rendering index CRI > 80
Module luminous flux 20820 lm
Luminaire luminous flux 15554 lm
Luminaire luminous efficiency 117,8 lm/W

84 538 K3

Module designation 6x LED-0867/830
Colour temperature 3000 K
Colour rendering index CRI > 80
Module luminous flux 20310 lm
Luminaire luminous flux 14900 lm
Luminaire luminous efficiency 112,9 lm/W

84 538 K2

Module designation 6x LED-0867/622
Colour temperature 2200 K
Colour rendering index CRI > 65
Module luminous flux 19590 lm
Luminaire luminous flux 14742 lm
Luminaire luminous efficiency 110 lm/W

Service life · Ambient temperature

Rated temperature $t_a = 25^{\circ}\text{C}$
LED psu: > 50,000 h
LED module: 145,000 h (L80 B50)
100,000 h (L80 B50)

Ambient temperature $t_{a\text{max}} = 45^{\circ}\text{C}$ (100 %)

LED psu: 50,000 h
LED module: 100,000 h (L80 B50)
100,000 h (L80 B50)

Lighting technology

Half beam angle 45°
Luminaire data for the light planning program DIALux for outdoor lighting, street lighting and interior lighting as well as luminaire data in EULUMDAT and IES format are available on our website www.bega.com.

Article No. 84 538

Colour temperature 4000 K.
Also available with 3000 K or 2200K on request.
4000 K – article number + **K4**
3000 K – article number + **K3**
2200 K – article number + **K2**

Accessories

Mounting box and mounting base for permanent mounting of floodlights on pillars, walls and ceilings

70 225 Mounting box IP 65
70 348 Mounting box IP 55
70 208 Mounting base h = 120 mm

Pole caps for mounting a floodlight on a pole

70 342 Pole cap for \varnothing 76 mm
70 343 Pole cap for \varnothing 89 mm

Outrigger arm for the installation of one floodlight at BEGA steel poles or on walls
70 391 Outrigger arm

Pole caps for mounting 1-2 outrigger arms on top of a steel pole

70 387 Pole cap for pole \varnothing 76 mm
70 388 Pole cap for pole \varnothing 89 mm

Pole top attachments for multi-arrangement of floodlights on a steel pole

70 762 Pole top attach. for 2 floodlights
70 763 Pole top attach. for 3 floodlights
70 764 Pole top attach. for 4 floodlights

Cross beams for floodlights for mounting on walls, under ceilings or on the floor

70 761 Cross beam for 3 floodlights
70 765 Cross beam for 6 floodlights

71 071 Fixing of floodlight

71 110 Shield

The shield can be screwed on and prevents lateral glare from one direction up to an angle of 45° .

For the accessories a separate instructions for use can be provided upon request.

Light distribution

